

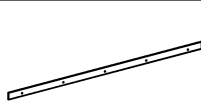


MANTION POLSKA

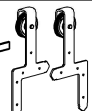
WWW.MANTION.PL

Idun | ROC DESIGN

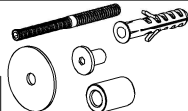
219-250, 219-251, 219-252, 219-253, 219-254
219-324, 219-334, 291-344, 291-354, 219-364



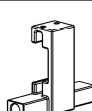
x1



(L)+(R)



x4/x5/x6



x2



x2



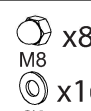
x1



St4x40

Ø6x30

x2



M8

x8

Ø8

x16

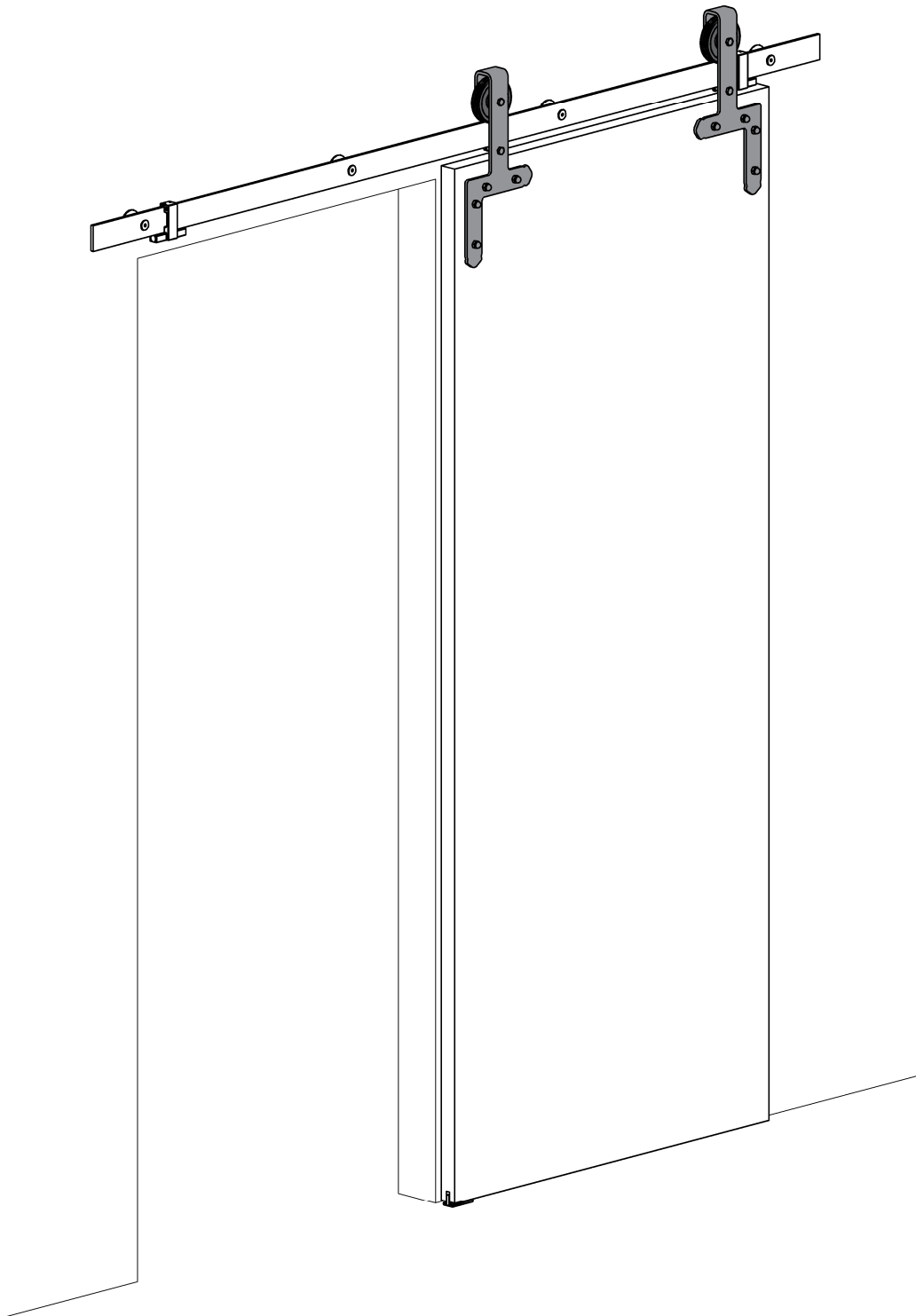


M8x55

x8

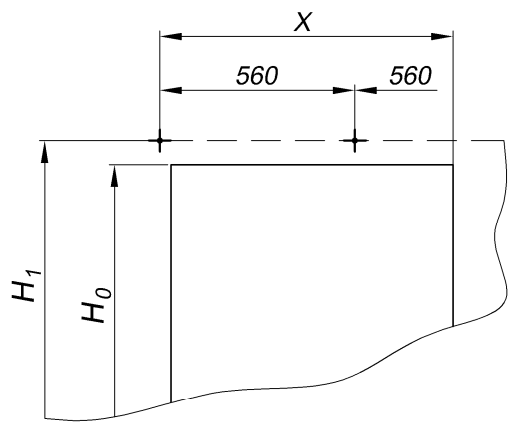
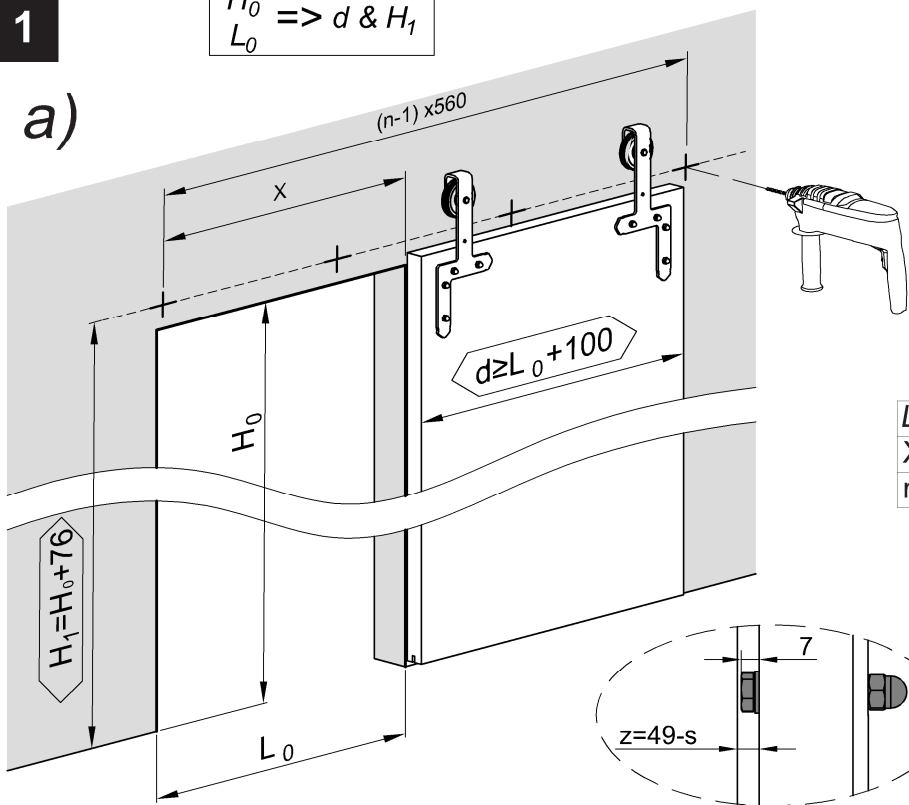


120
KG

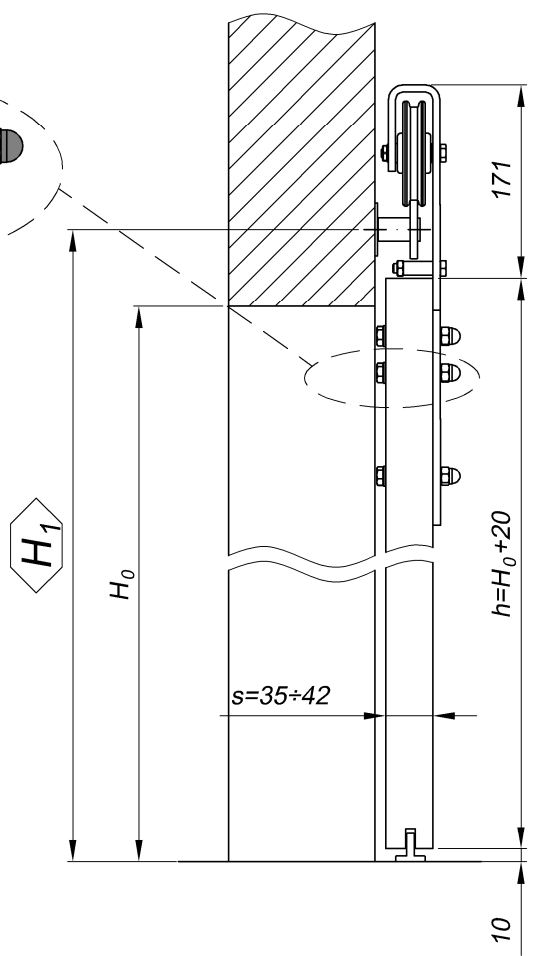
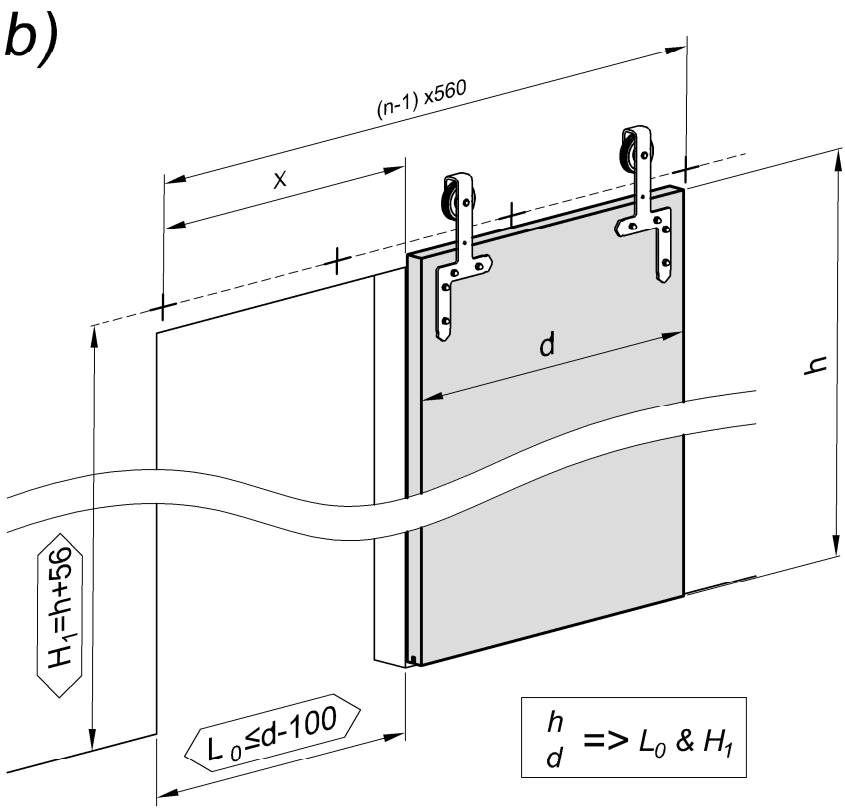
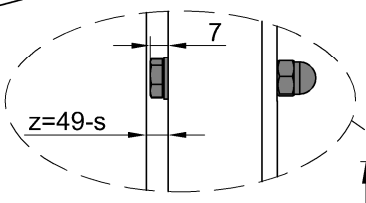


1

$H_0 \Rightarrow d \& H_1$
 L_0



L_{Track} [mm]	1950	2400	3000
X [mm]	840	1120	1400
n [szt]	4	5	6

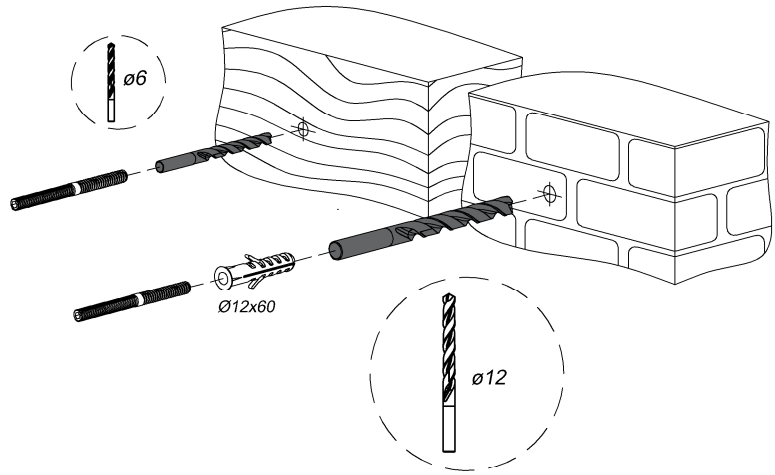
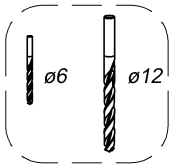


216-110
216-111

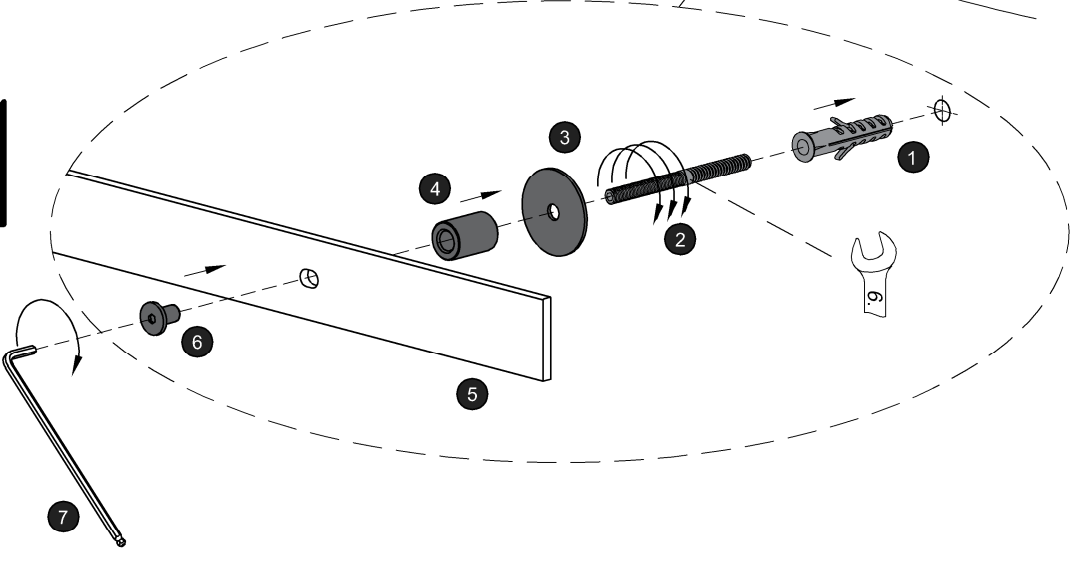
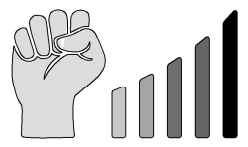
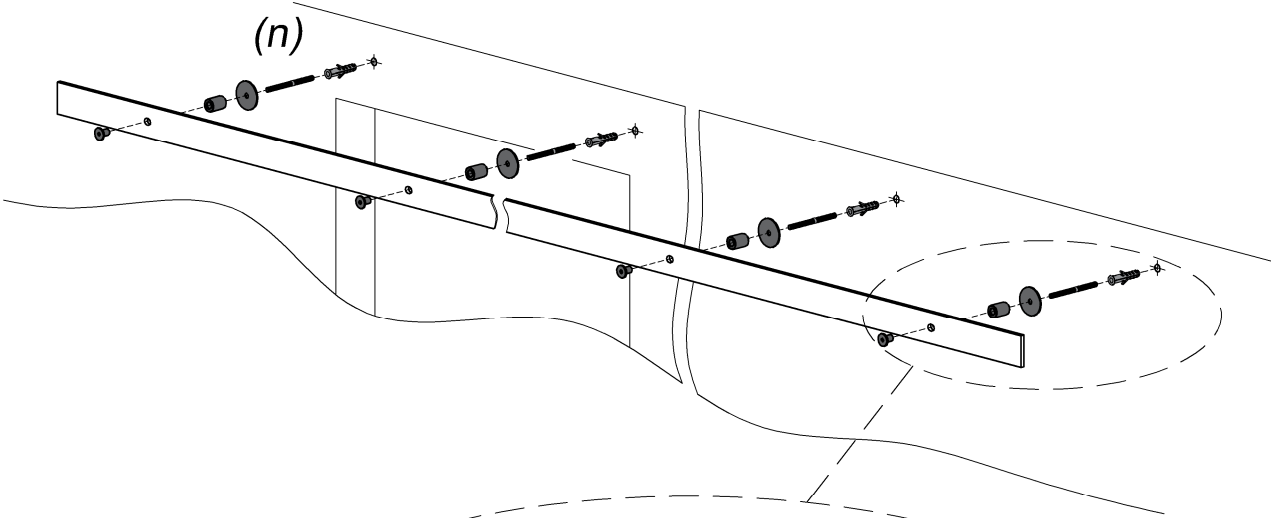
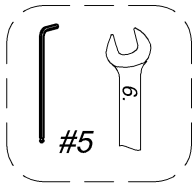
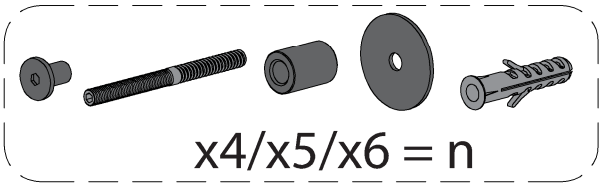
$H_1 = H_0 + 81$
 $H_1 = h + 61$



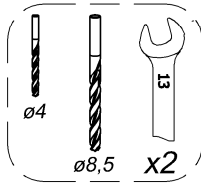
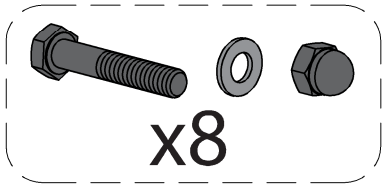
2



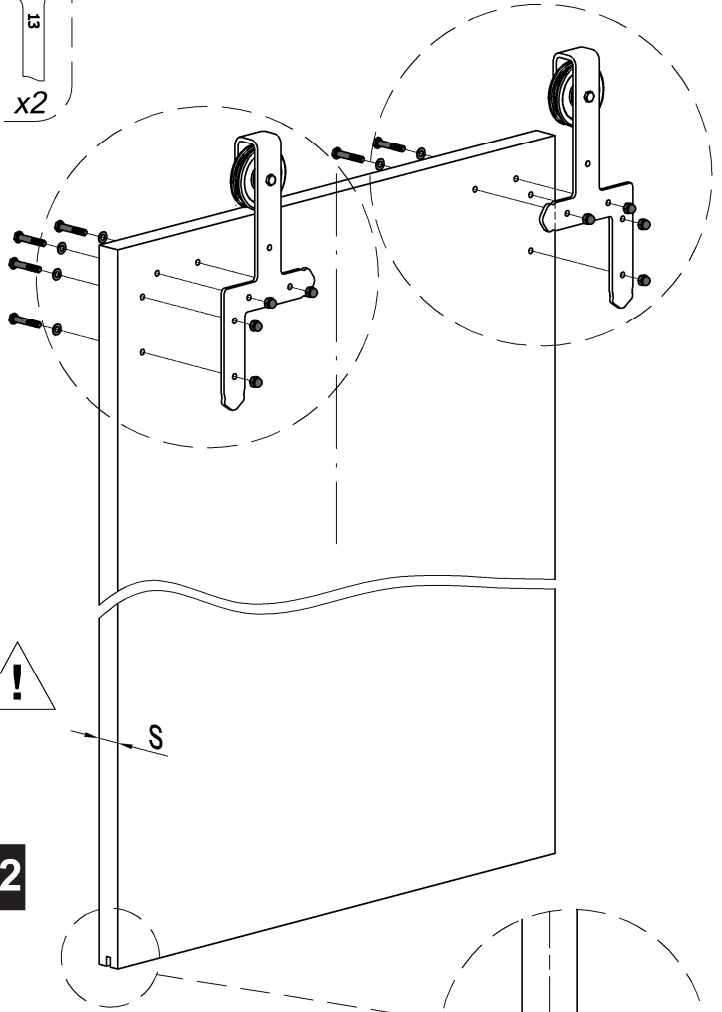
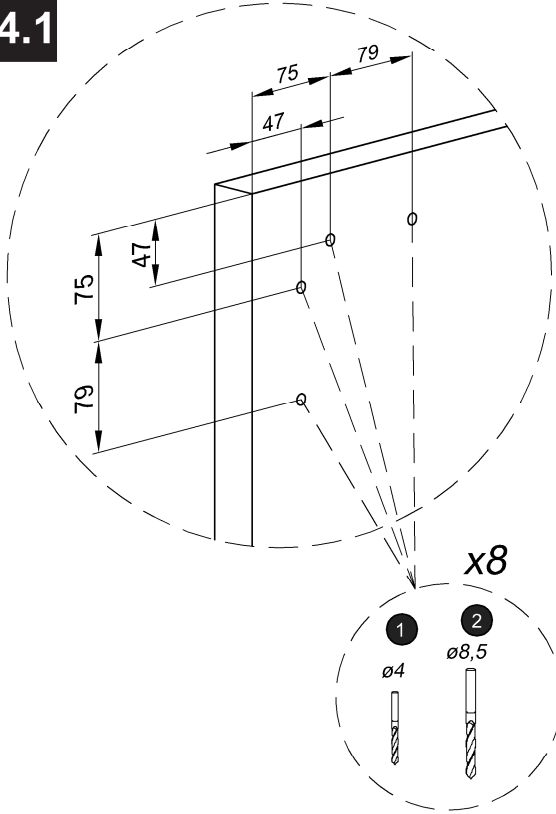
3



4



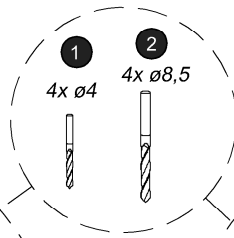
4.1



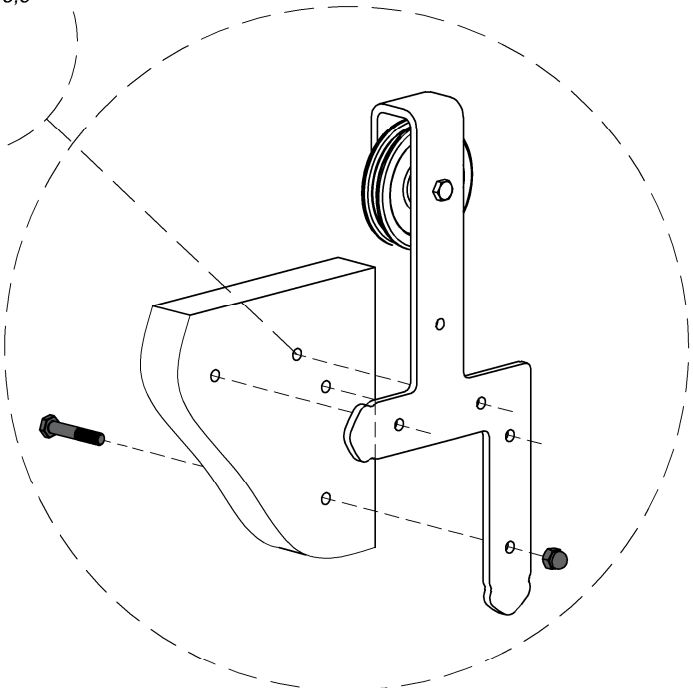
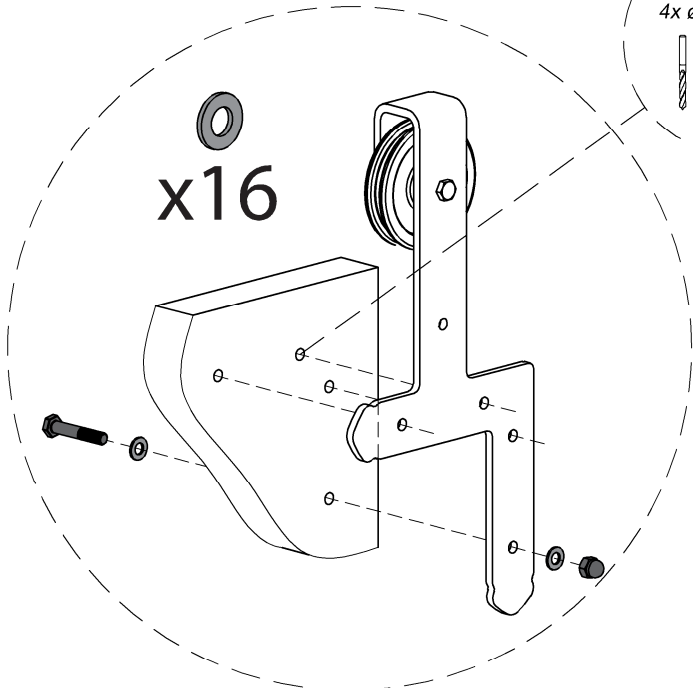
4.2

4.3

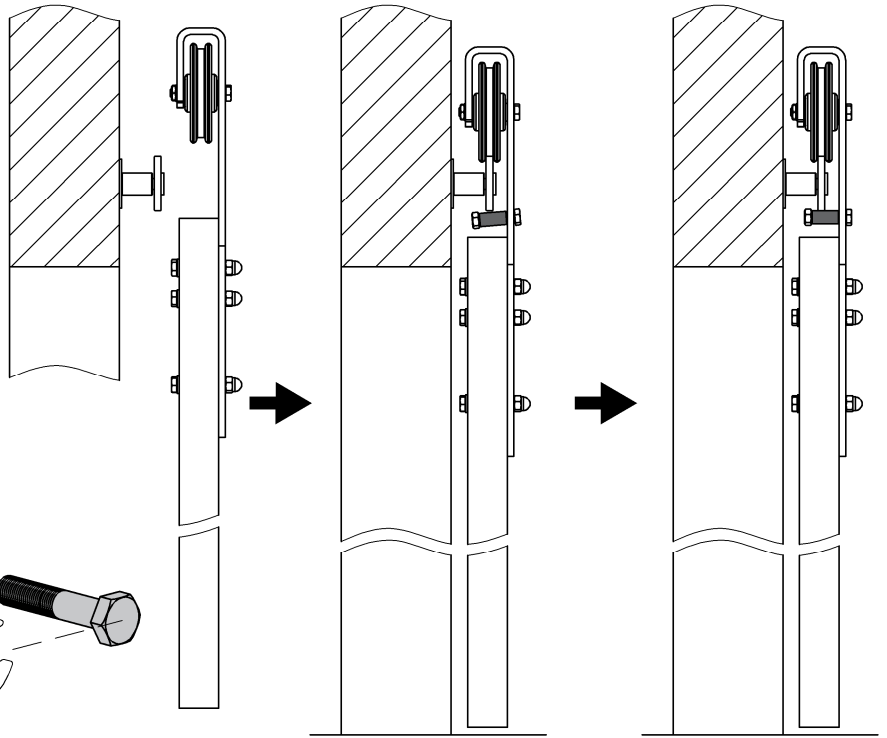
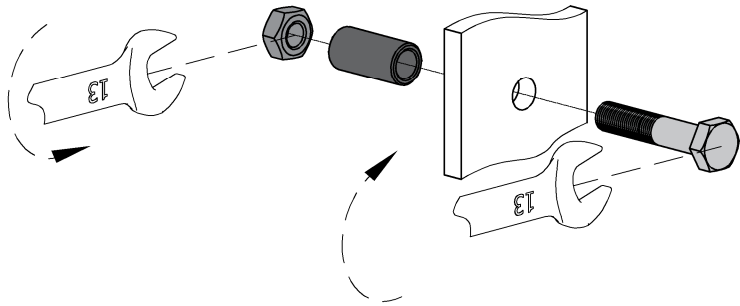
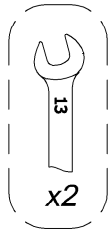
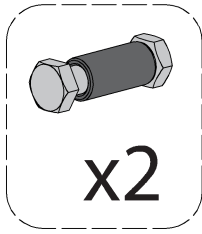
! $35 < s < 38$



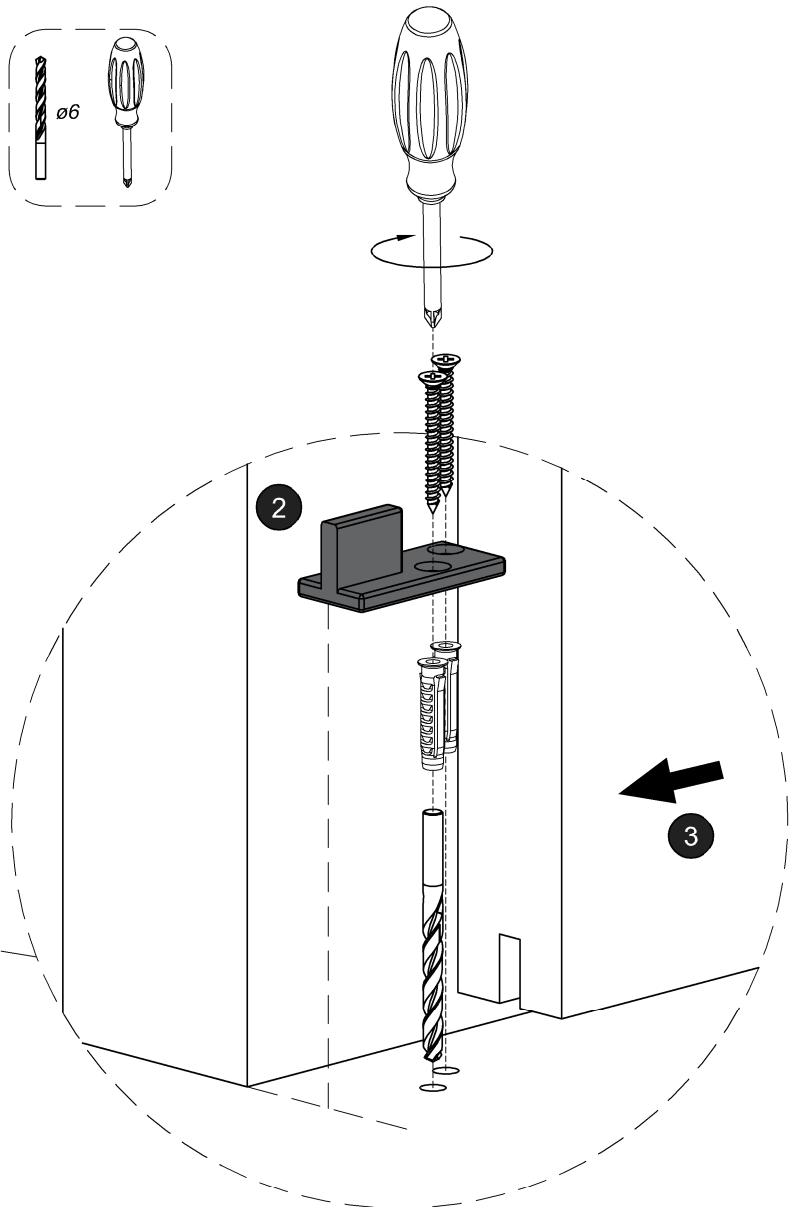
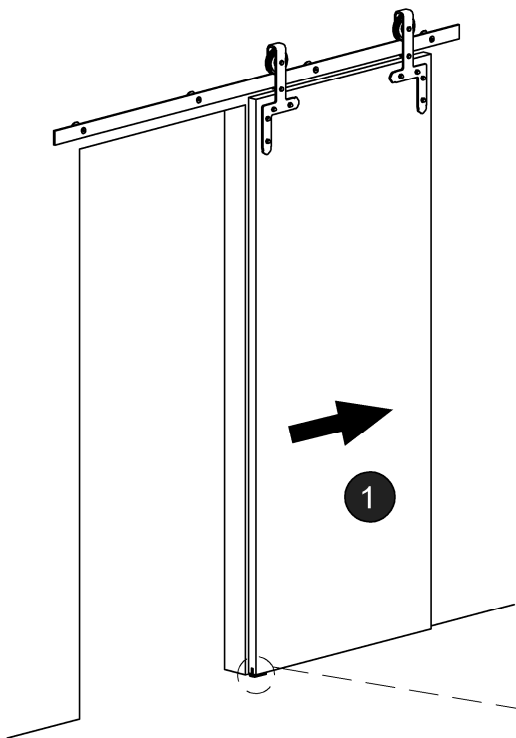
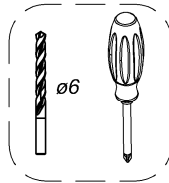
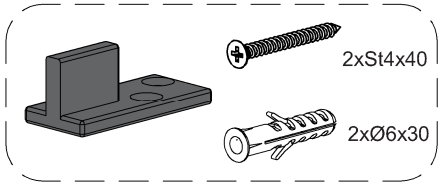
$38 \leq s < 42$



5

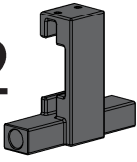


6

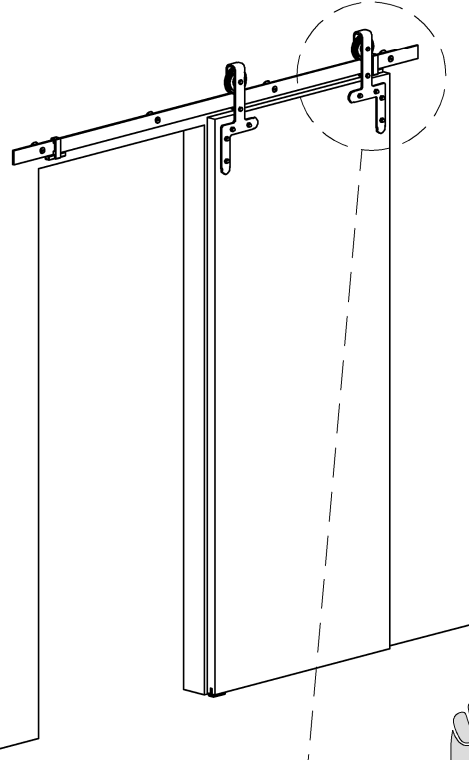
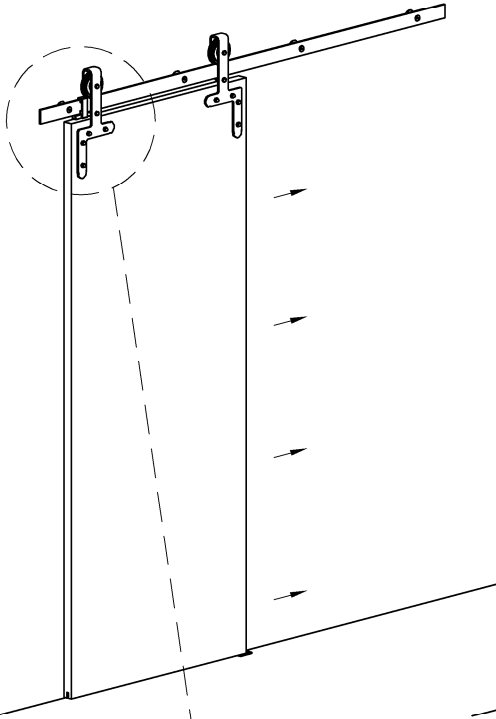
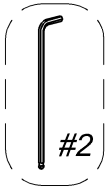


7

x2



#2



7a

7b

