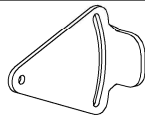
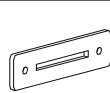


x1



x1



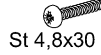
x1



St 4,2x30



St 3,8x30



St 4,8x30



x4

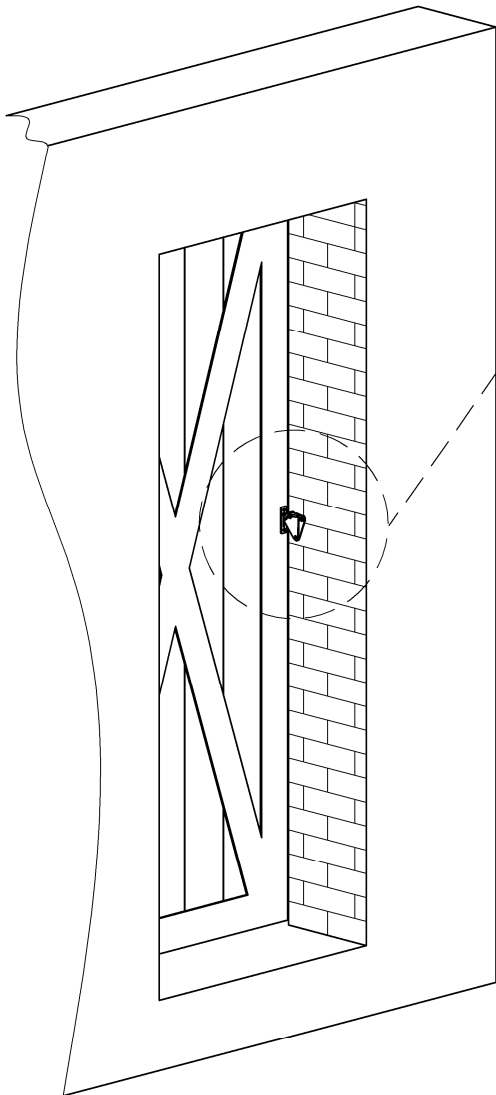


x2

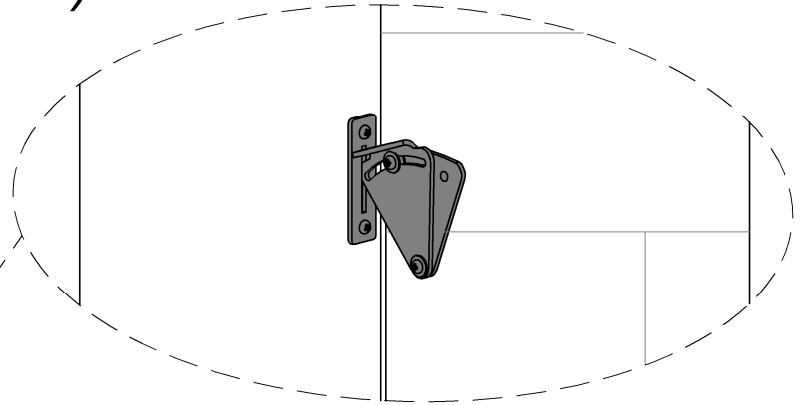


St 3,6x18

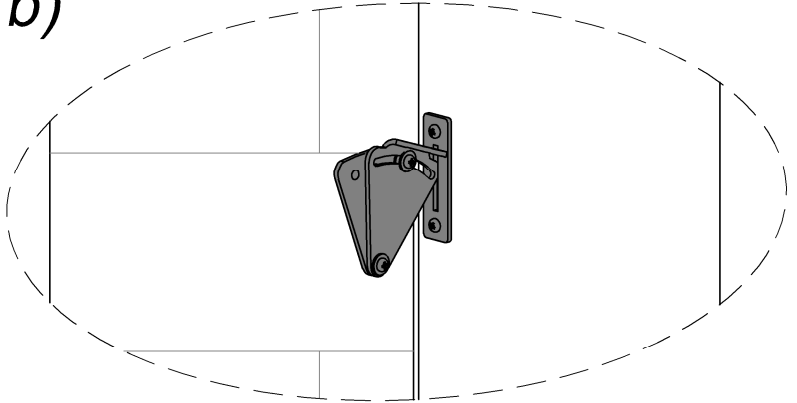
x2



a)



b)



max 25mm

