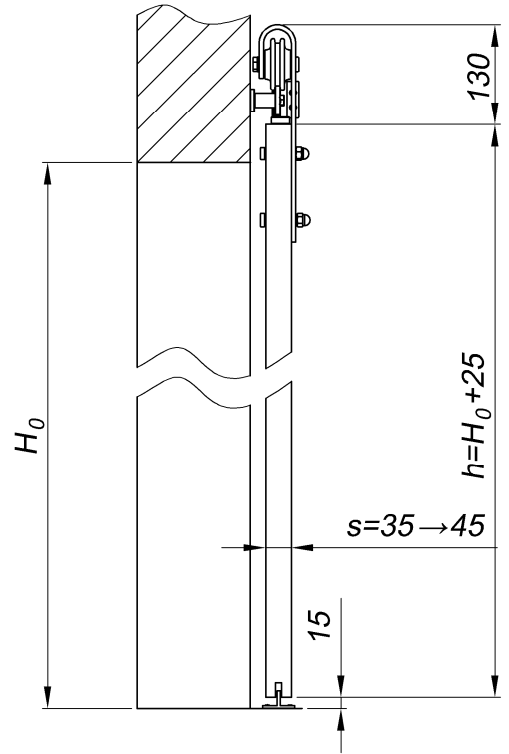
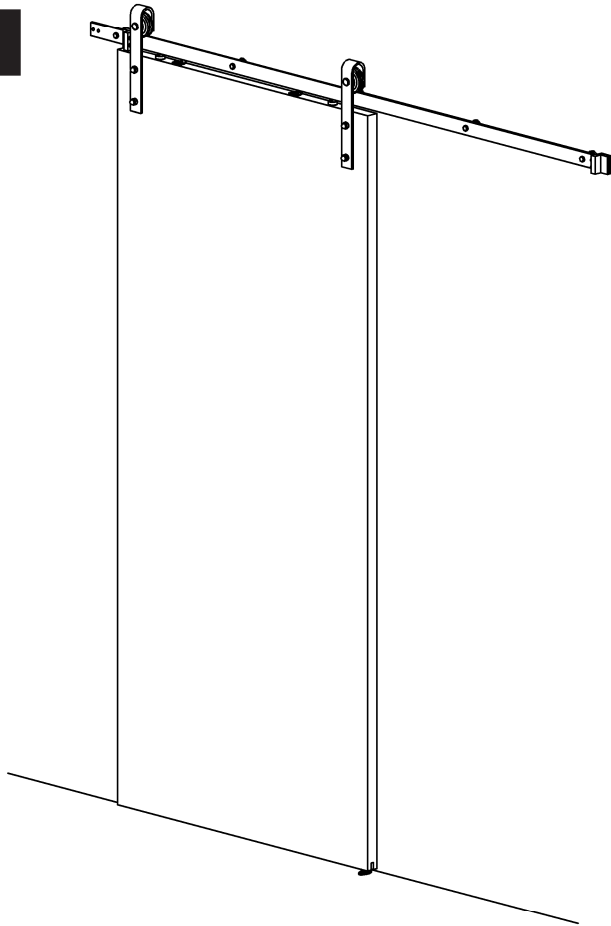
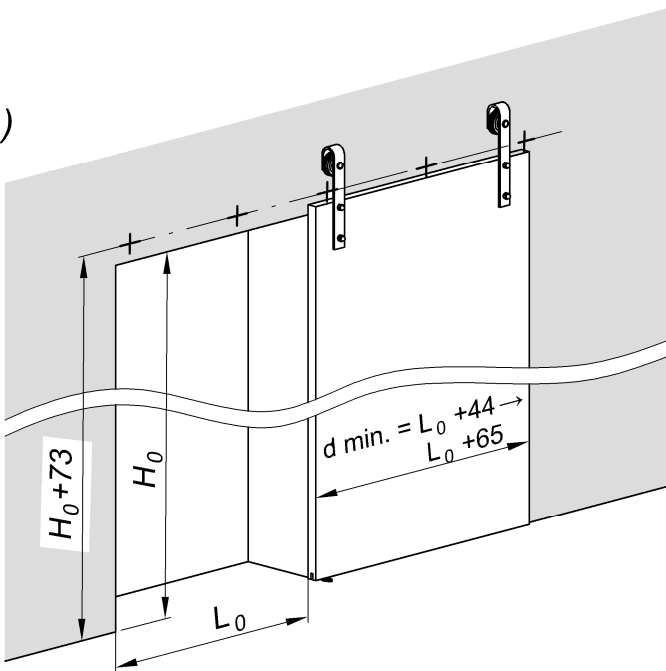


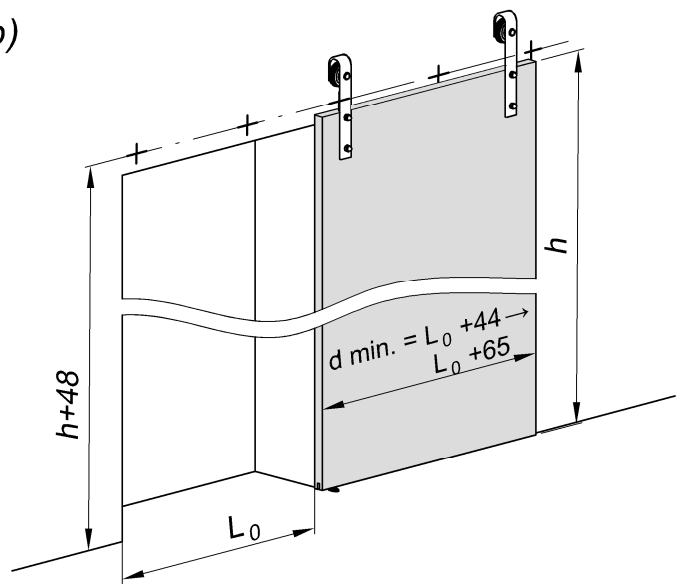
**1**

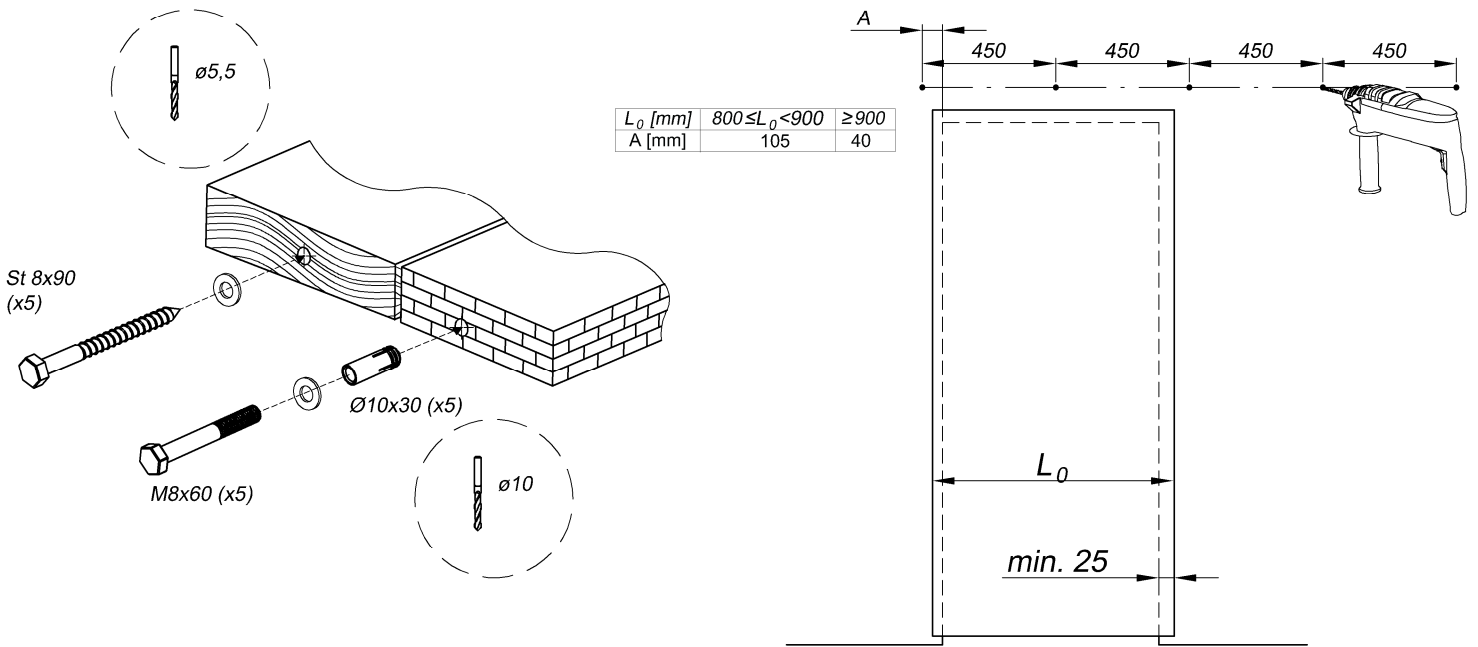


a)

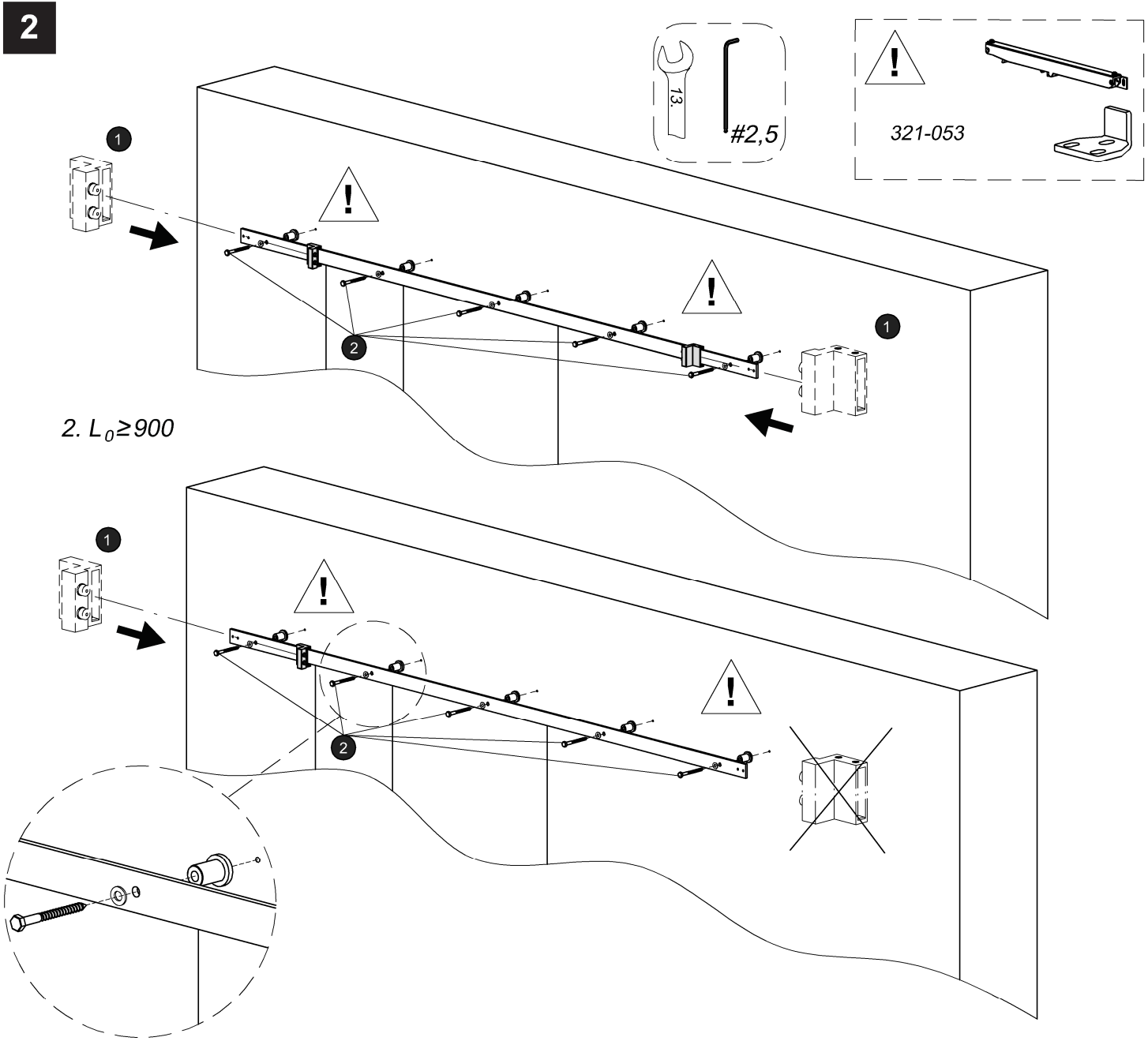


b)





1.  $800 \leq L_0 < 900$



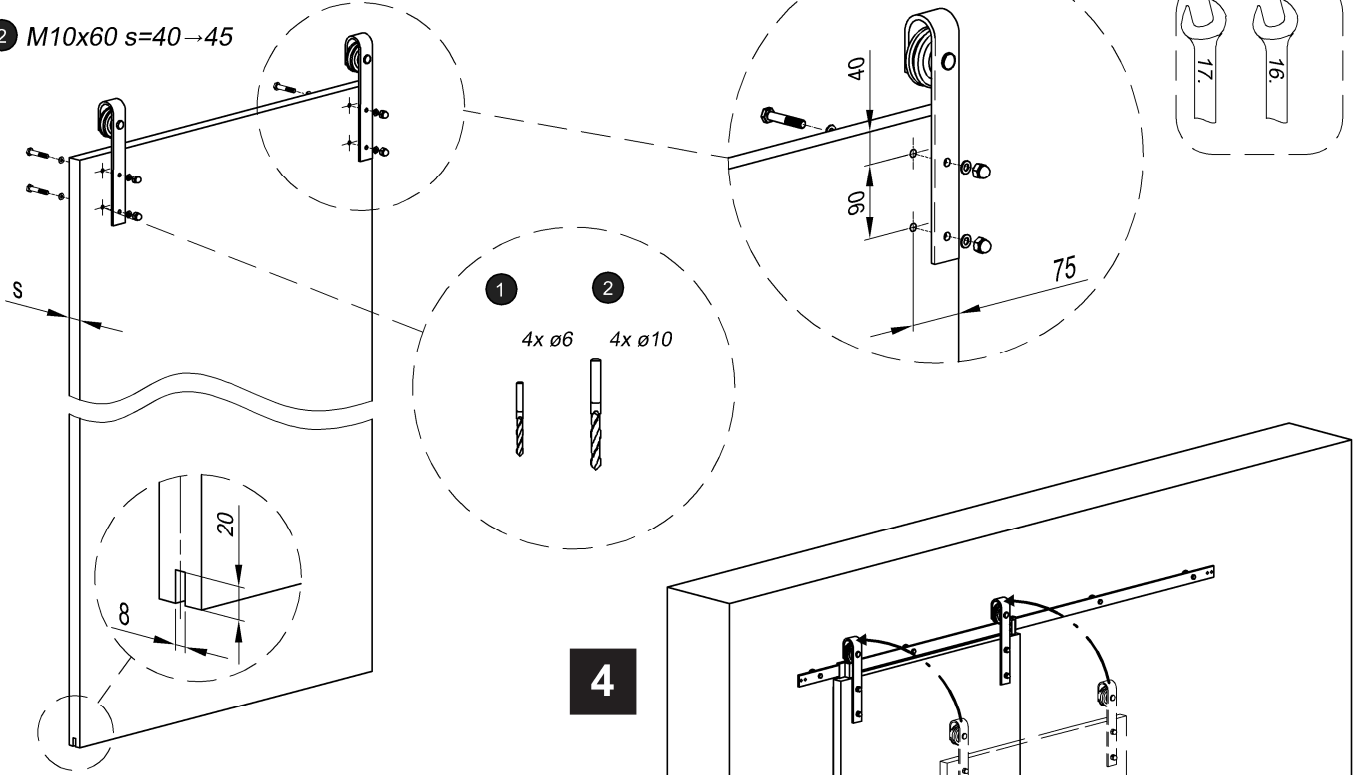
2.  $L_0 \geq 900$



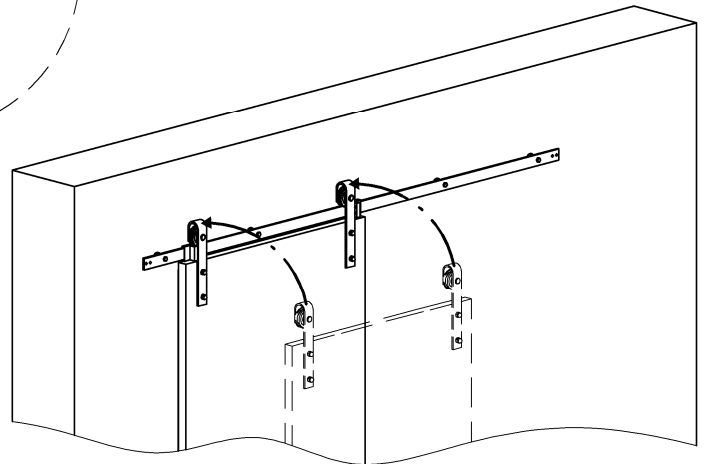
3

1 M10x55 s=35→40

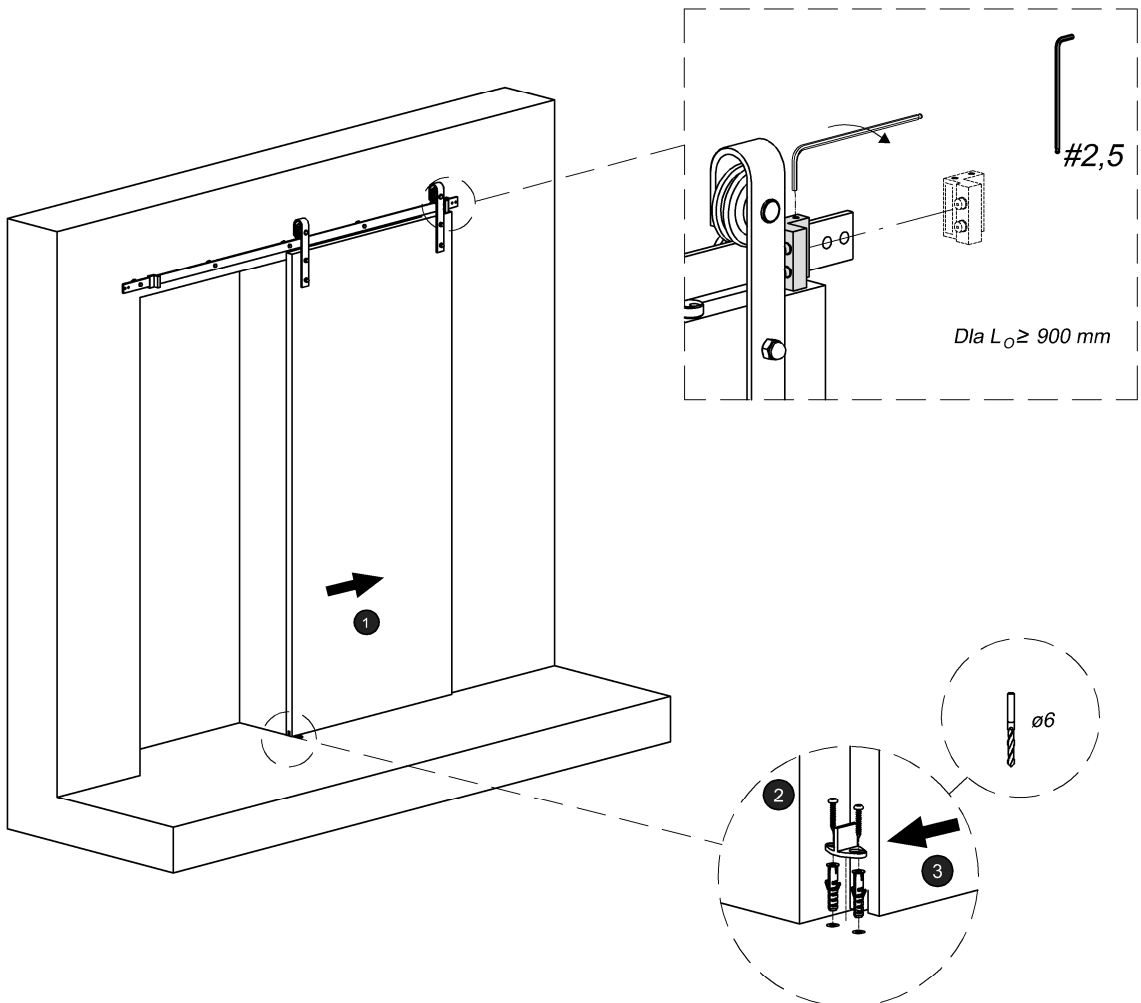
2 M10x60 s=40→45



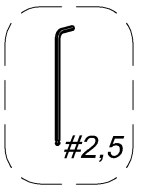
4



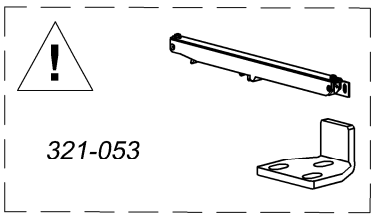
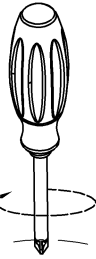
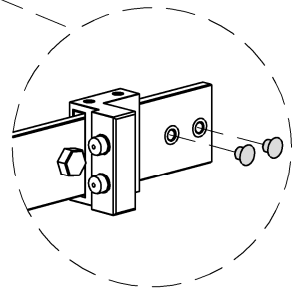
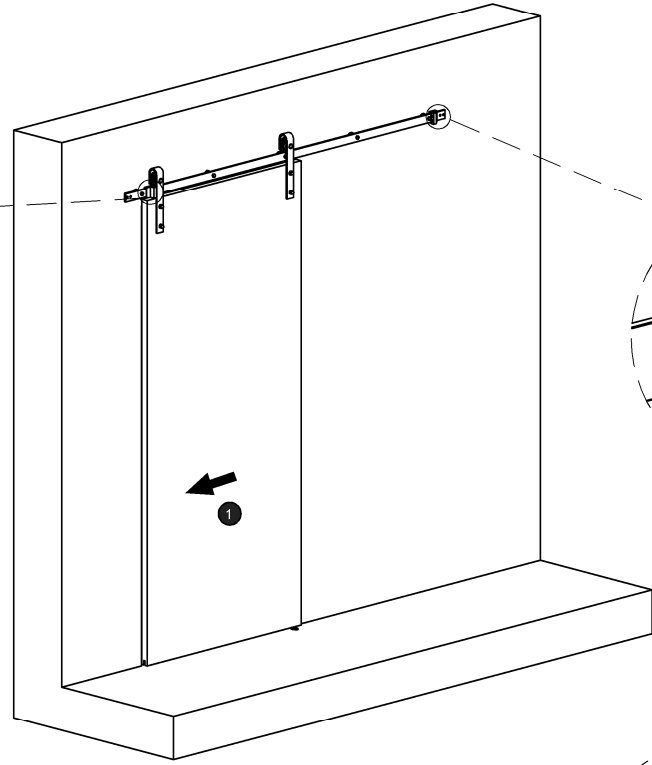
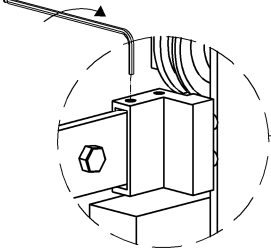
5



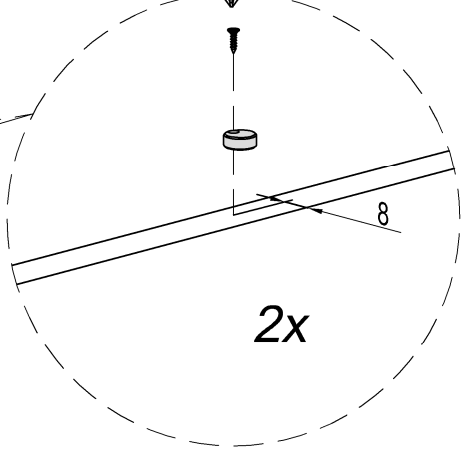
6



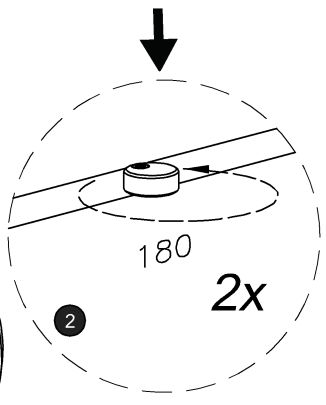
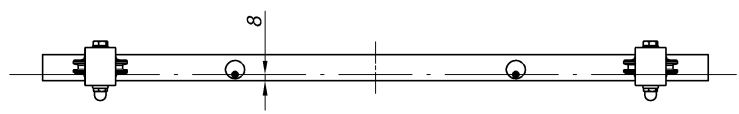
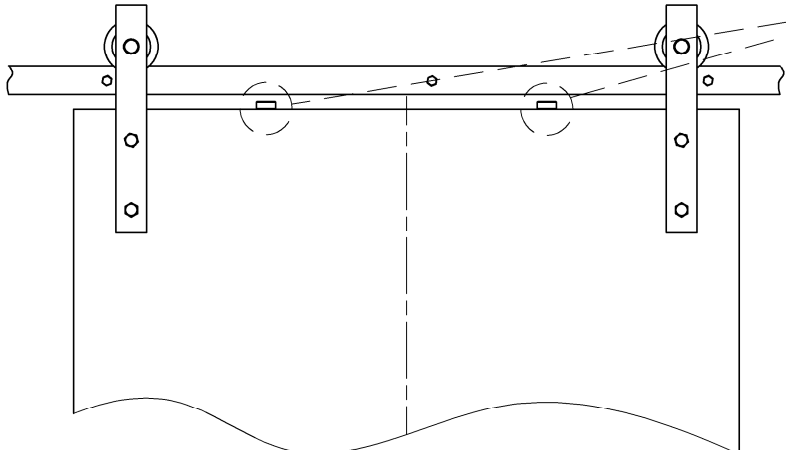
#2,5



321-053



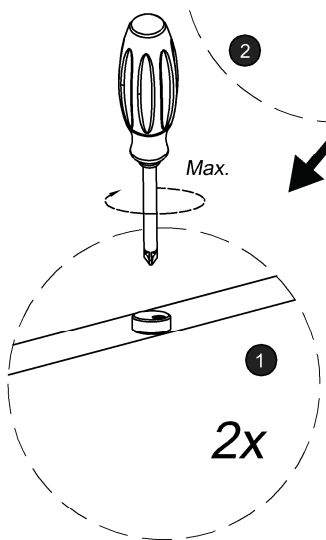
7



2

2x

Max.



1

2x

