

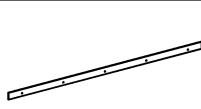


MANTION POLSKA

WWW.MANTION.PL

Magni| ROC DESIGN

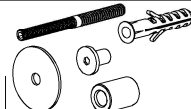
219-326, 219-336, 219-346, 219-356, 219-366



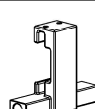
x1



x2



x4/x5/x6



x2



x2



x2



x1



St4x40

Ø6x30

x2



M8

Ø8

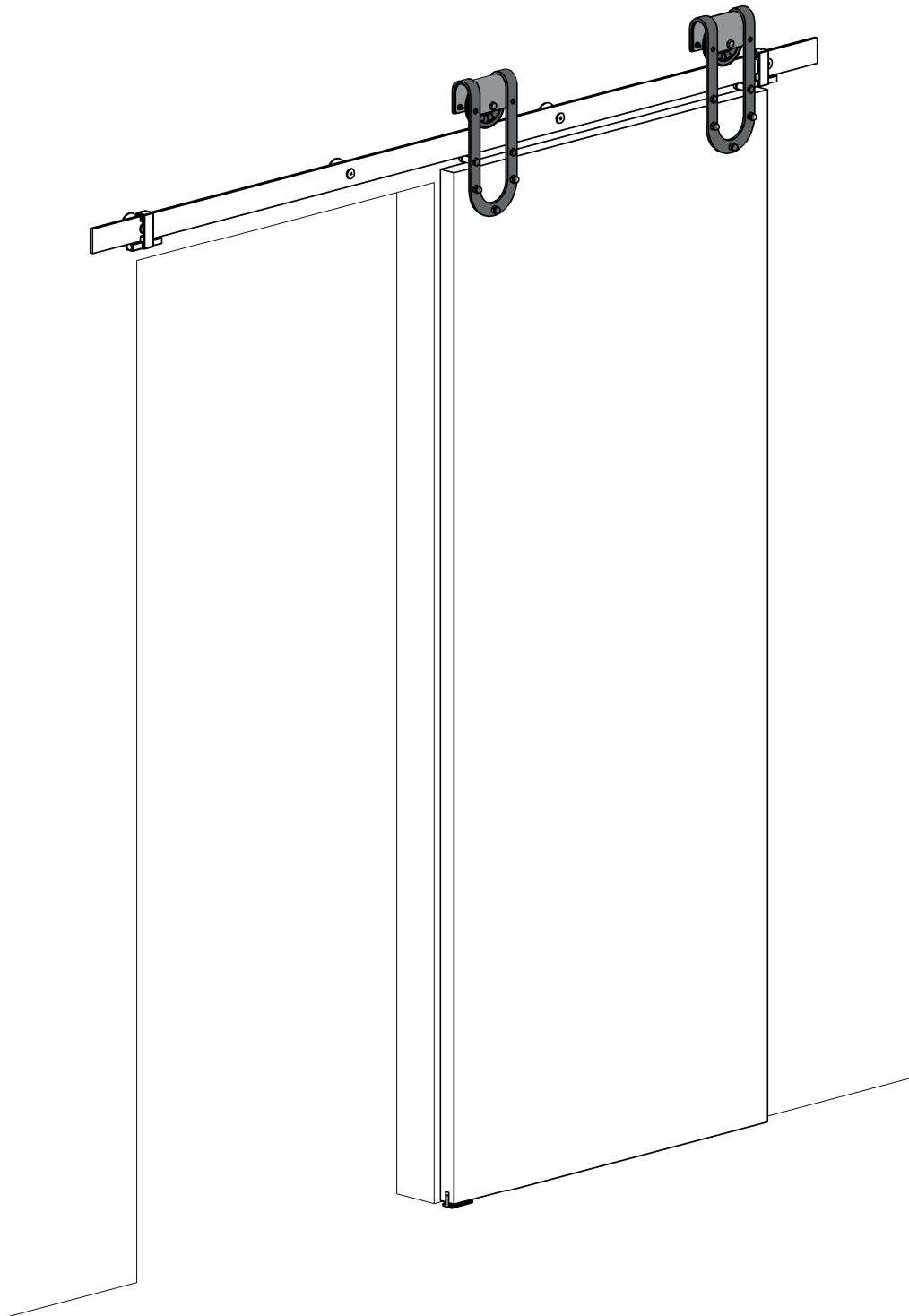
x12



M8x55

x6

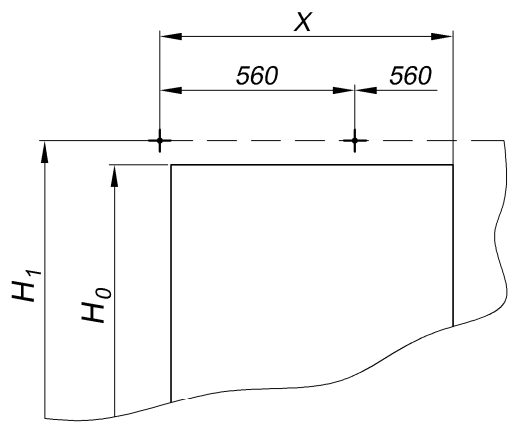
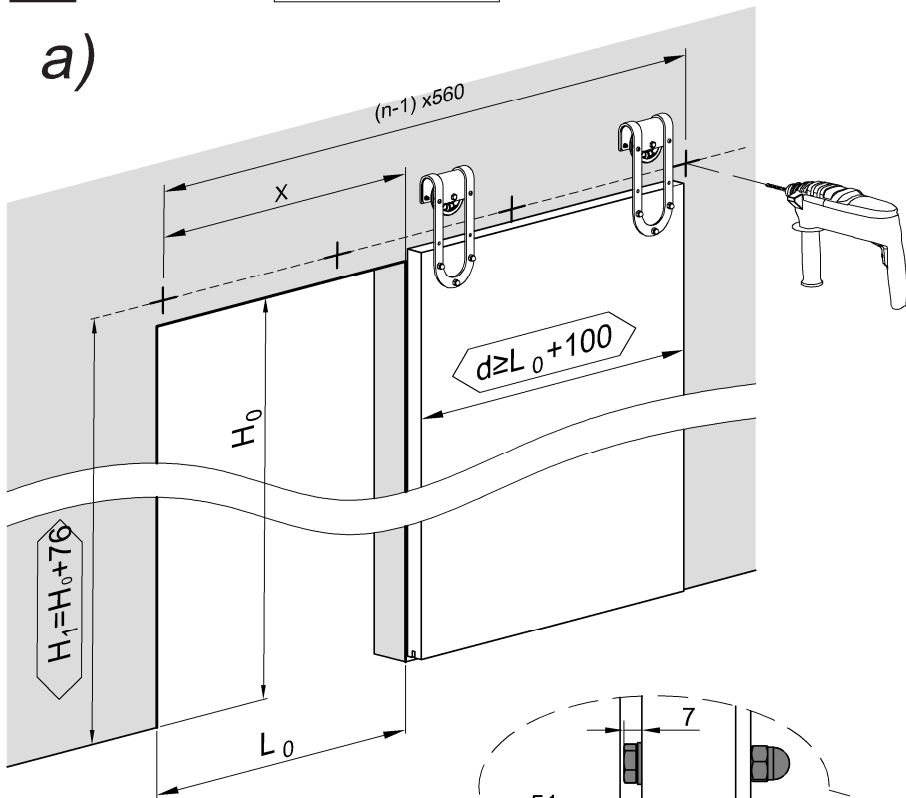
x6



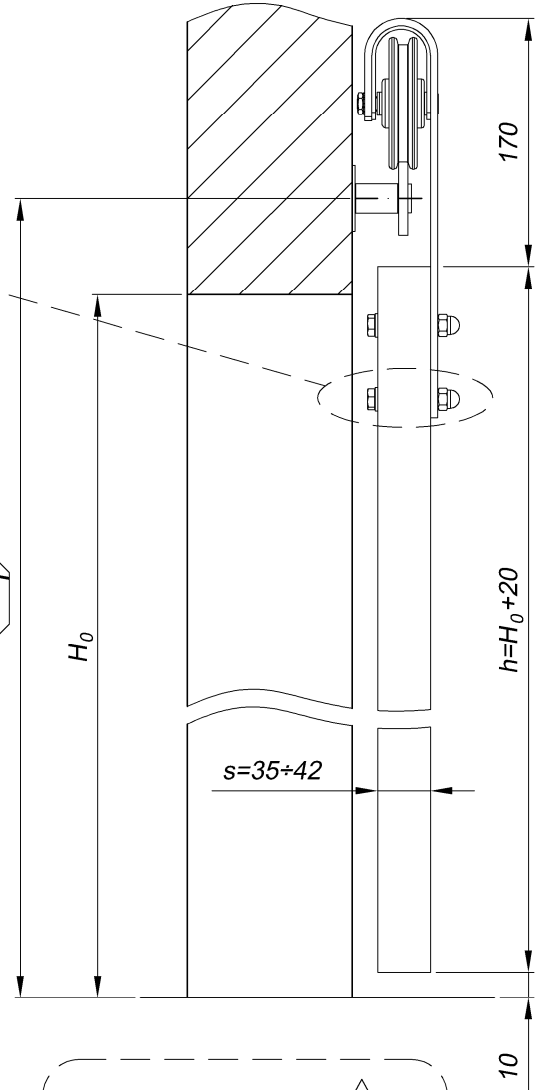
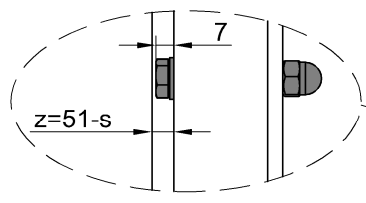
1

$H_0 \Rightarrow d \text{ \& } H_1$
 L_0

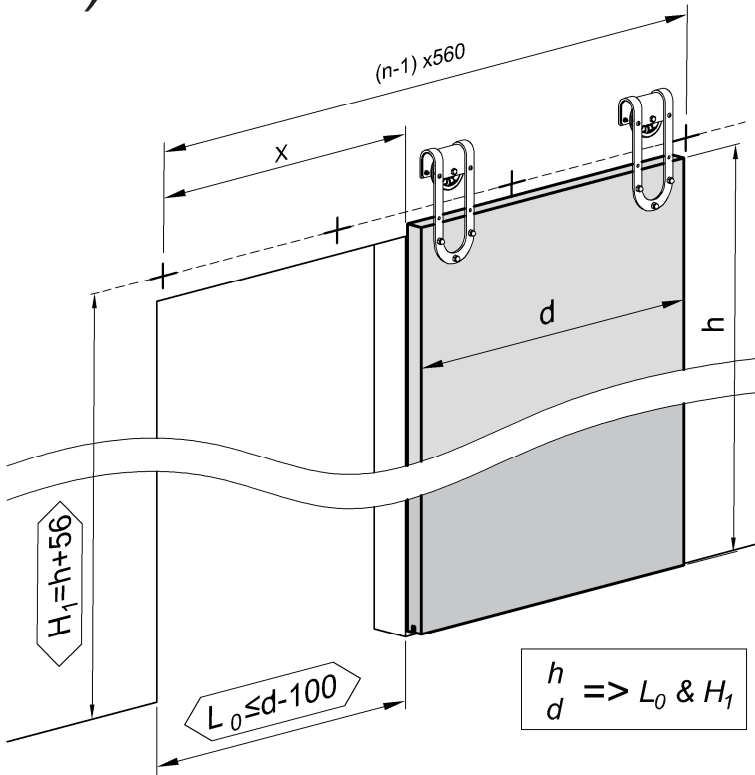
a)



L_{Track} [mm]	1950	2400	3000
X [mm]	840	1120	1400
n [szt]	4	5	6



b)



$h \Rightarrow L_0 \text{ \& } H_1$
 d

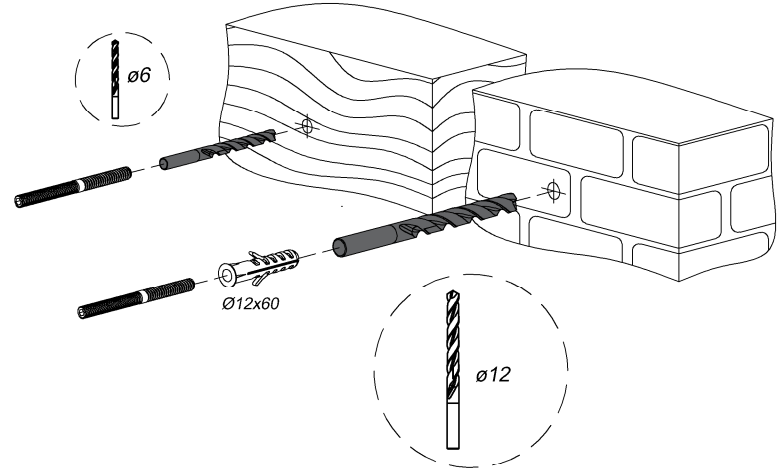
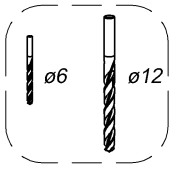
216-110
 216-111

⚠

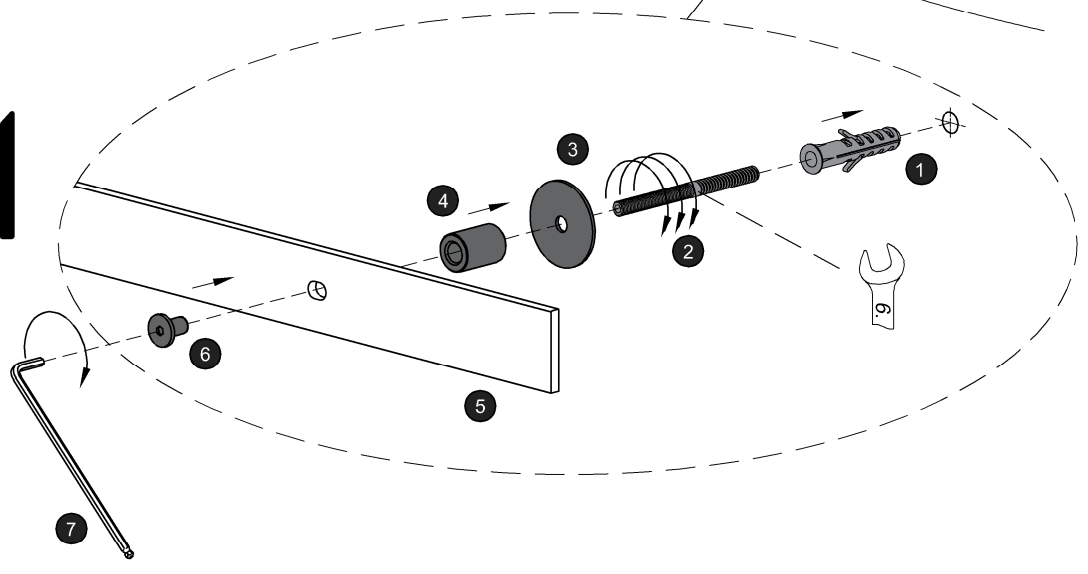
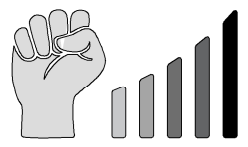
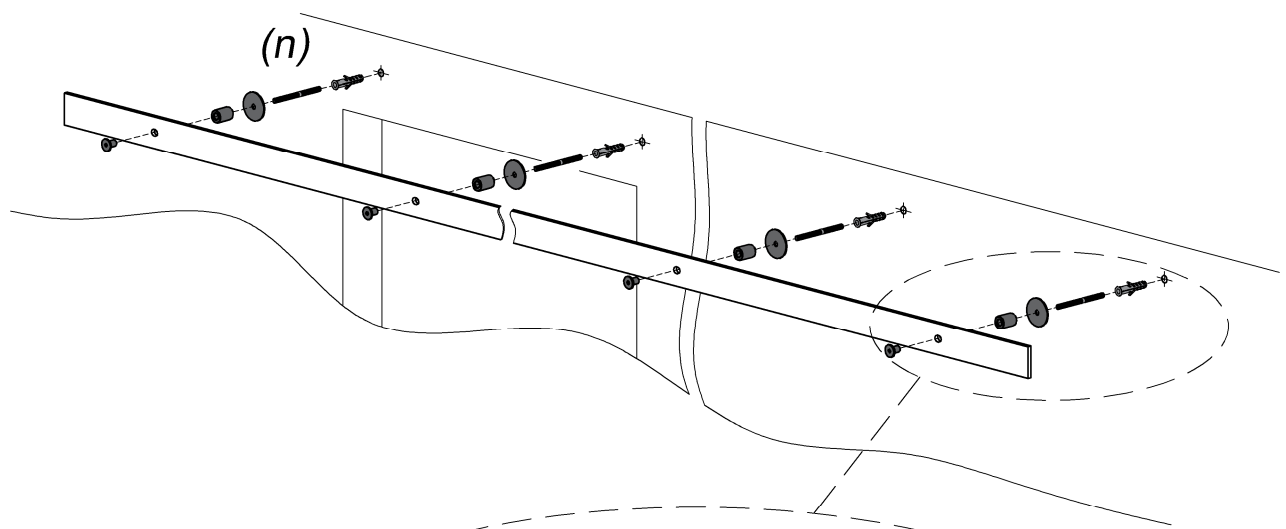
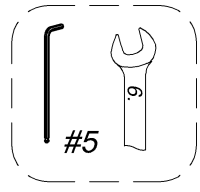
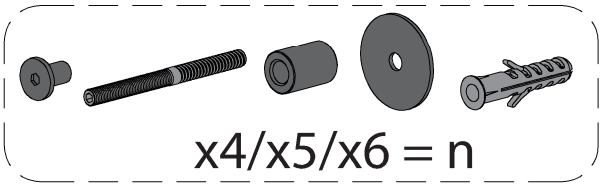
$H_1 = H_0 + 81$
 $H_1 = h + 61$



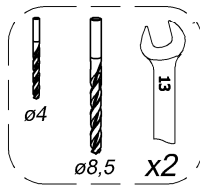
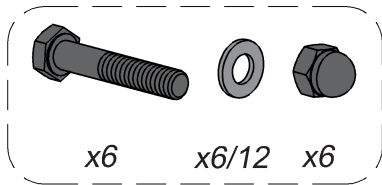
2



3

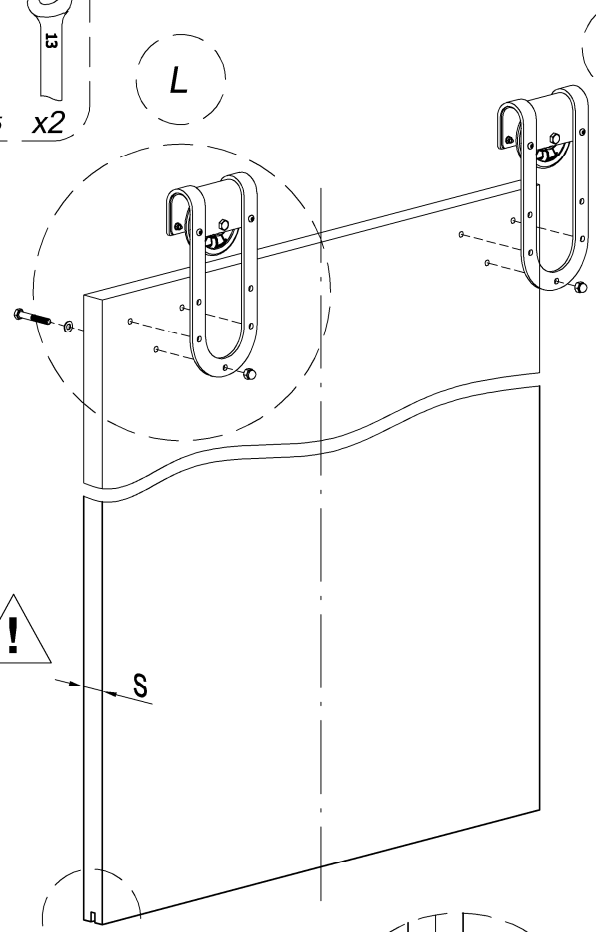


4

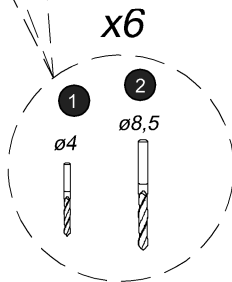
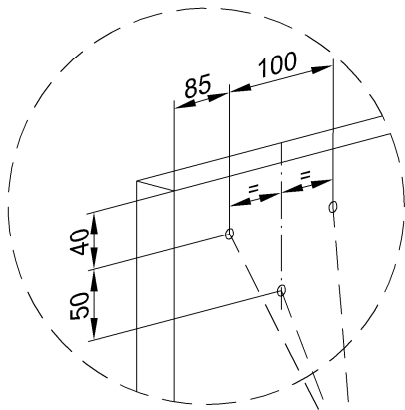


L

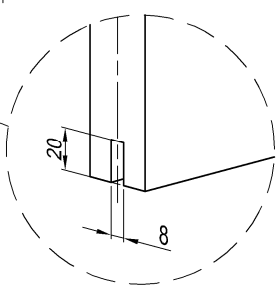
R



4.1



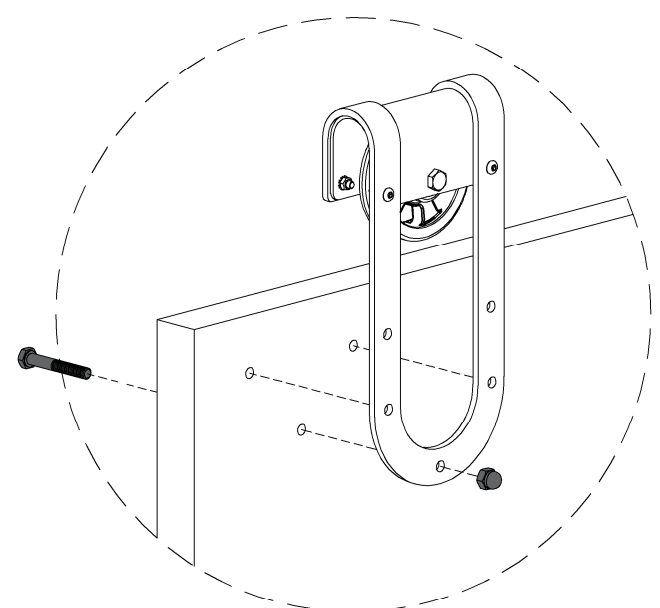
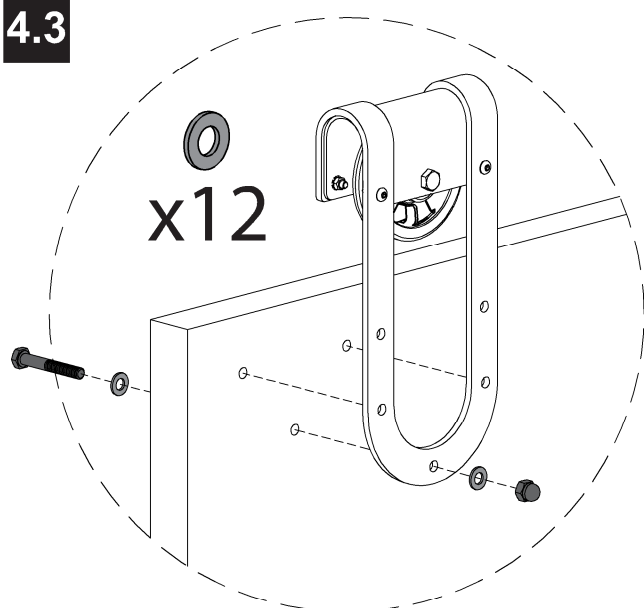
4.2



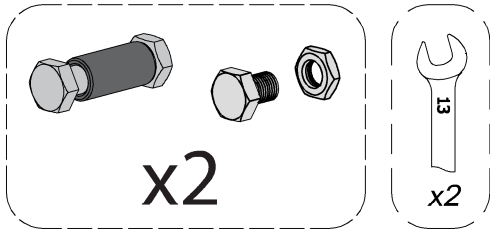
! $35 < s < 38$

$38 \leq s < 42$

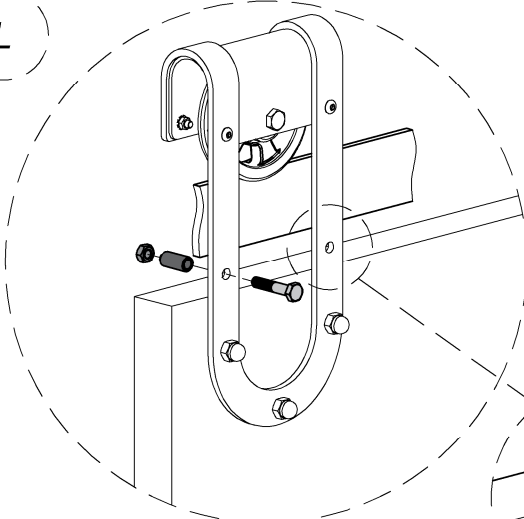
4.3



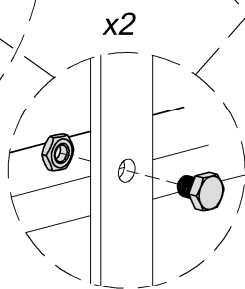
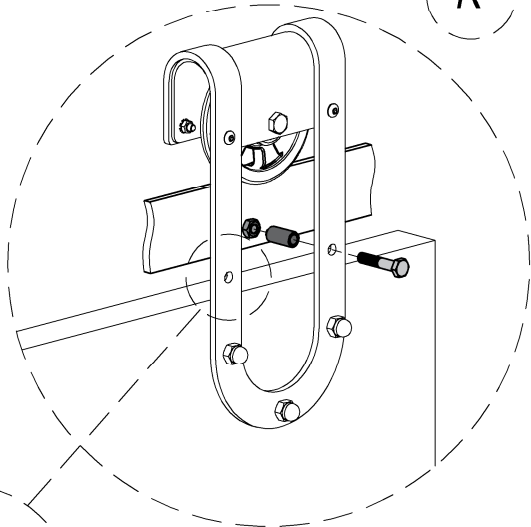
5



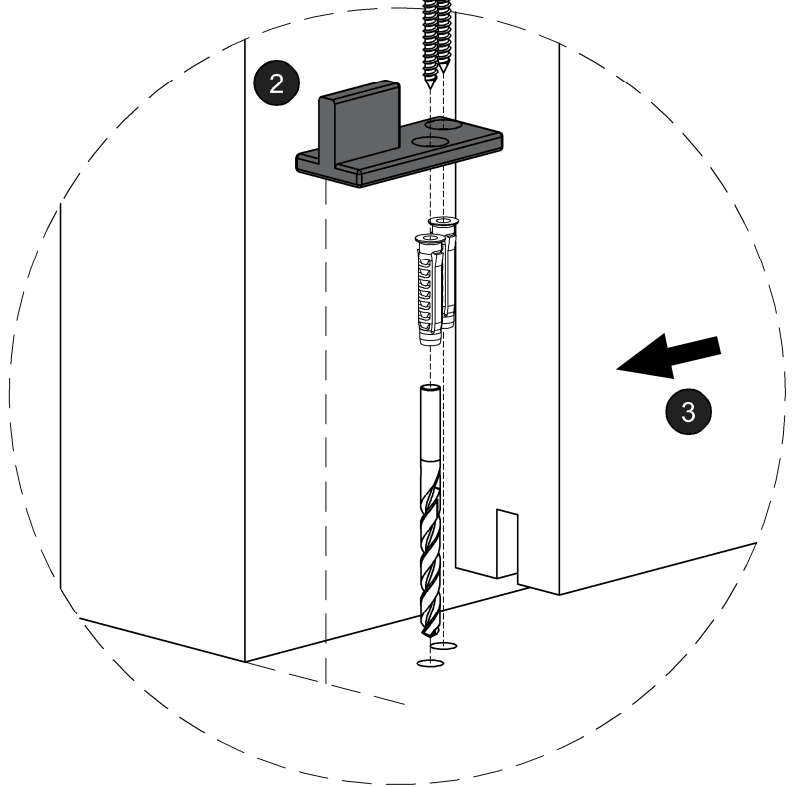
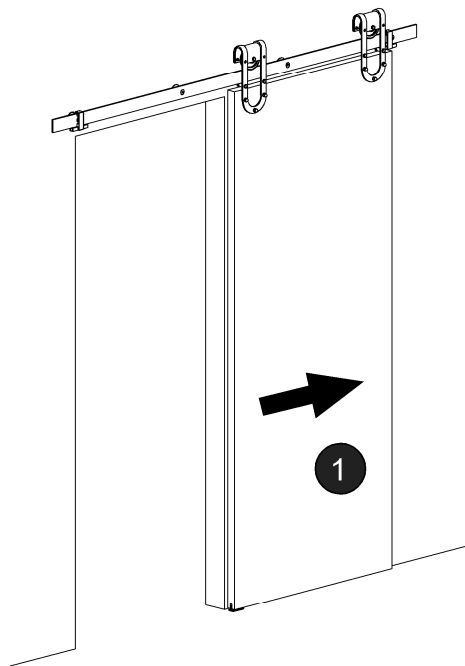
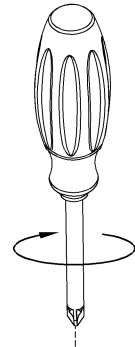
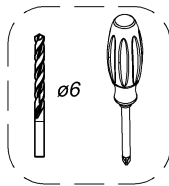
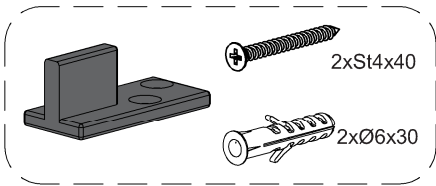
L



R

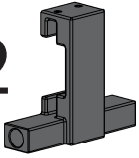


6

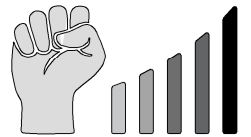
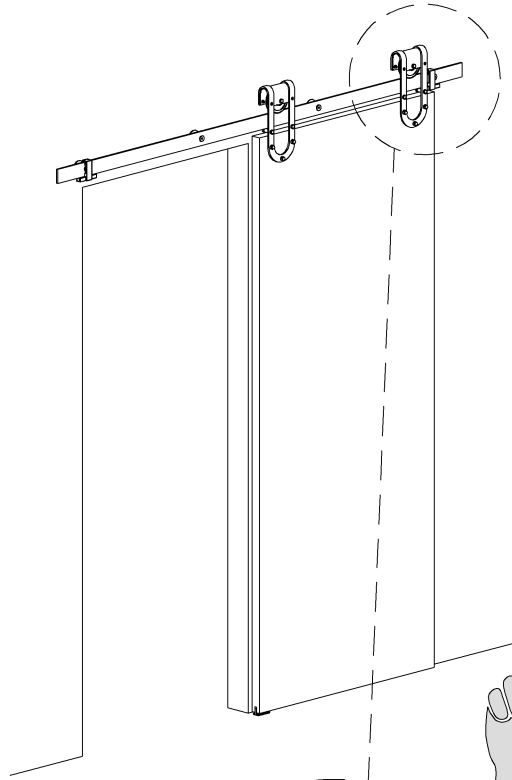
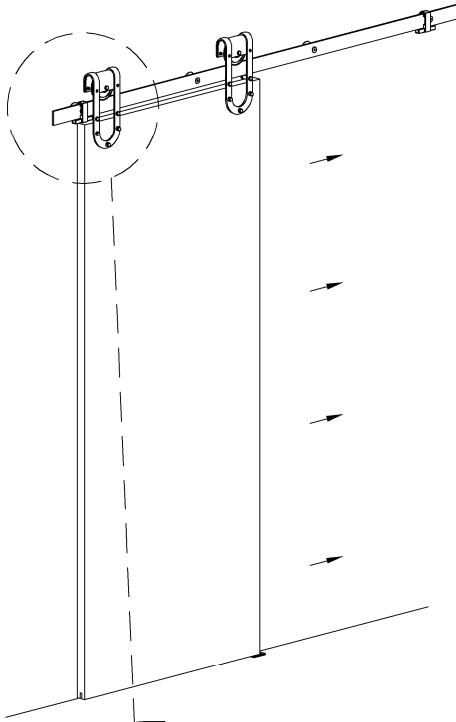


7

x2



#2



7a

7b

