

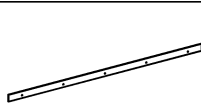


MANTION POLSKA

WWW.MANTION.PL

Loki | ROC DESIGN

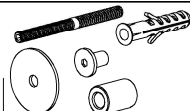
219-332, 219-342, 219-352, 219-362



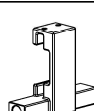
x1



x2



x4/x5/x6

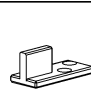


x2



S18x60

x2



x1



S14x40

Ø6x30

x2



M8 x4

Ø8 x8

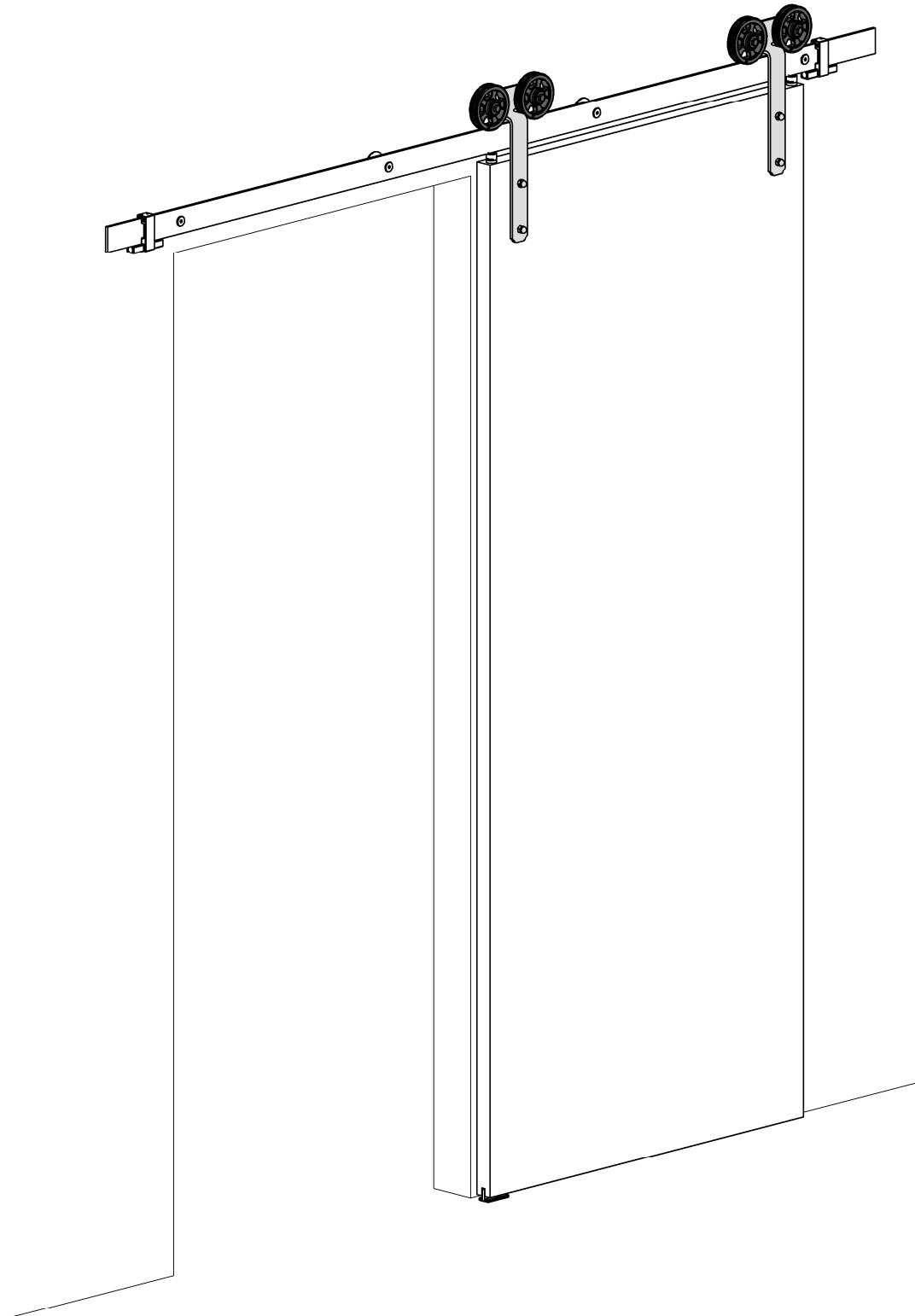


M8x55

x4



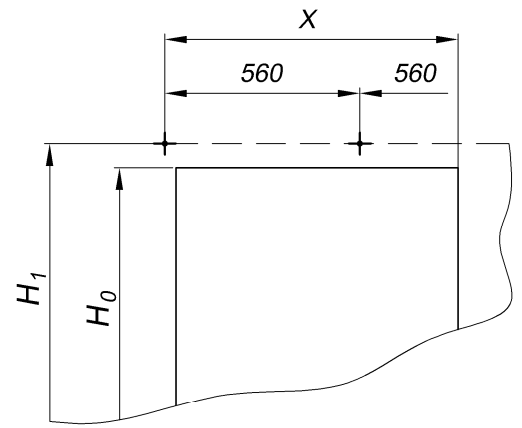
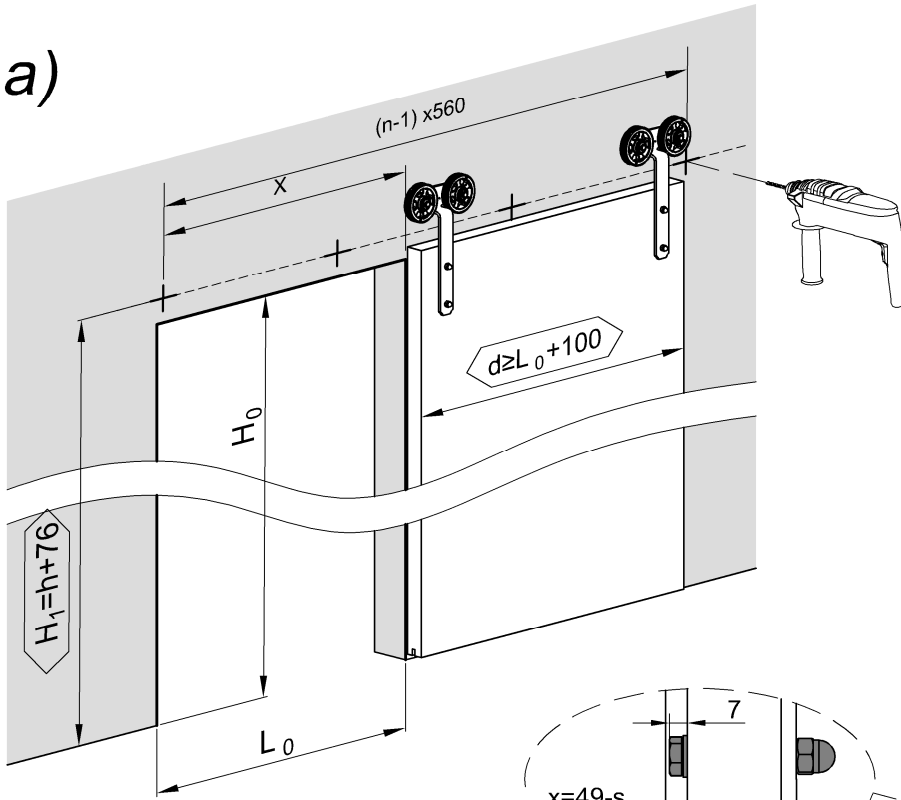
120
KG



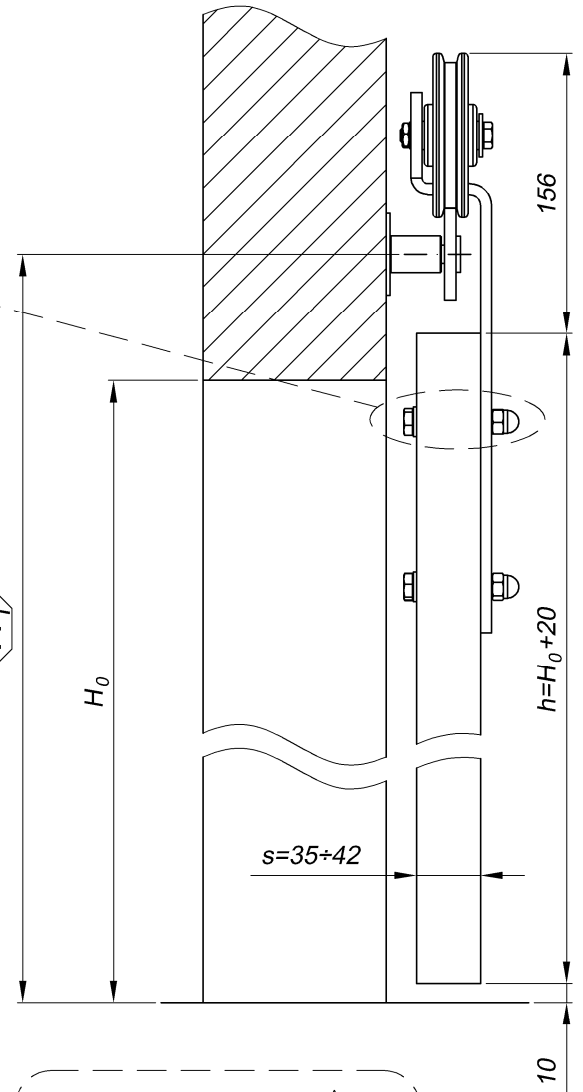
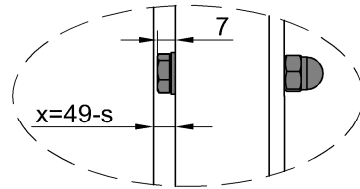
1

$$\begin{matrix} H_0 \\ L_0 \end{matrix} \Rightarrow d \ \& \ H_1$$

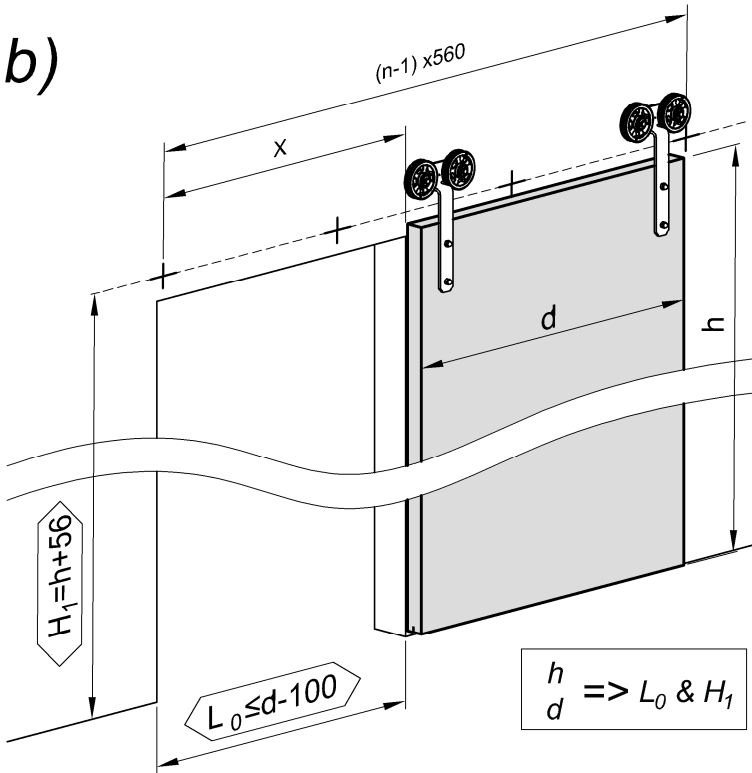
a)



L_{Track} [mm]	1950	2400	3000
X [mm]	840	1120	1400
n [szt]	4	5	6



b)

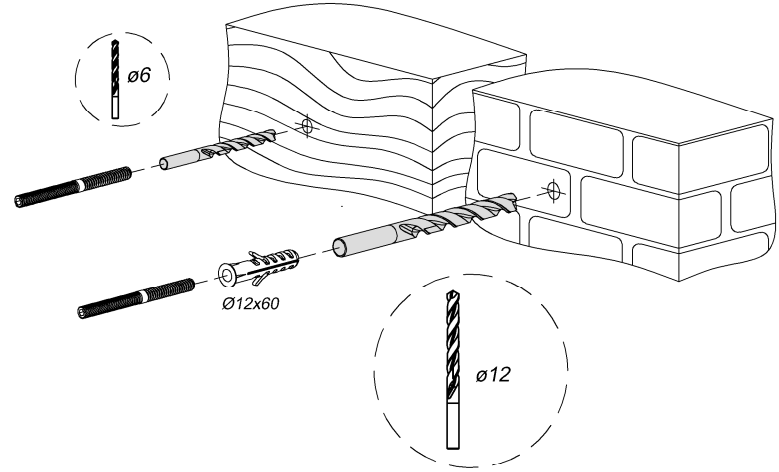
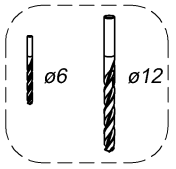


216-110
216-111

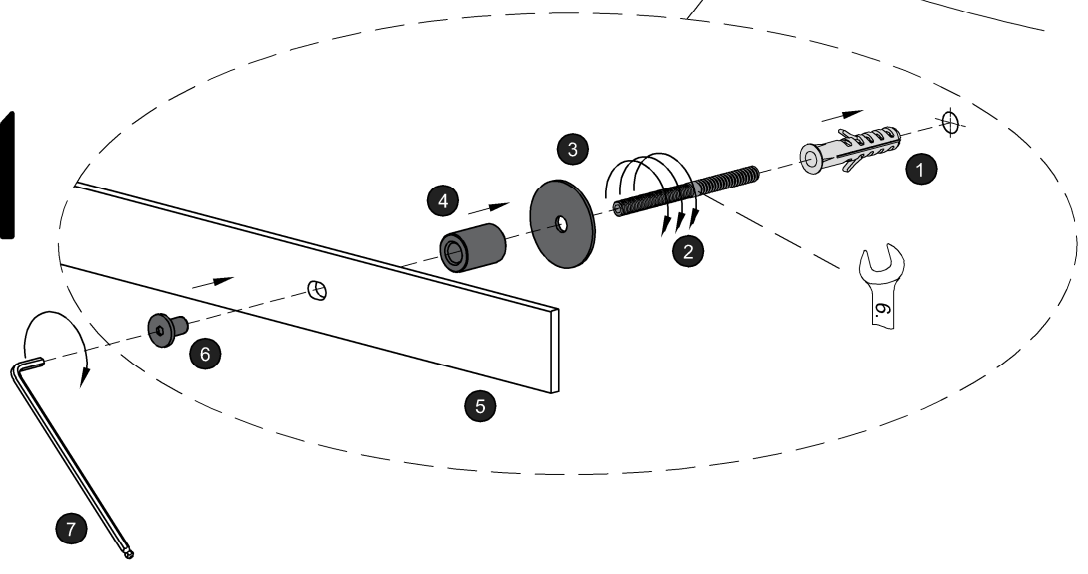
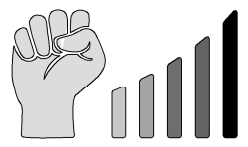
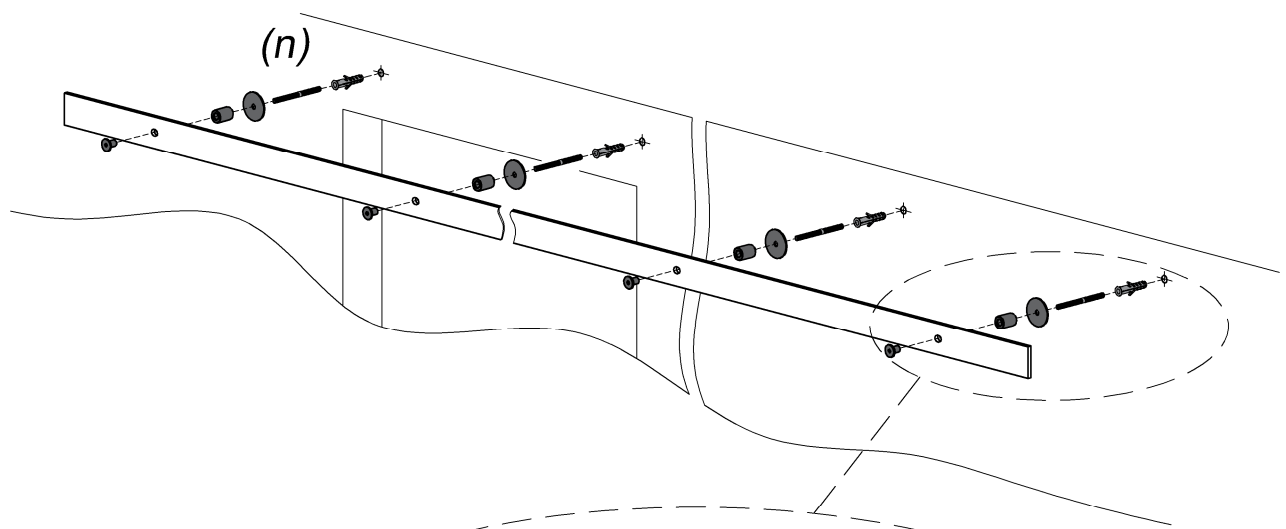
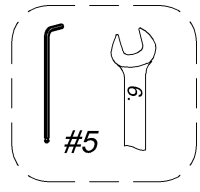
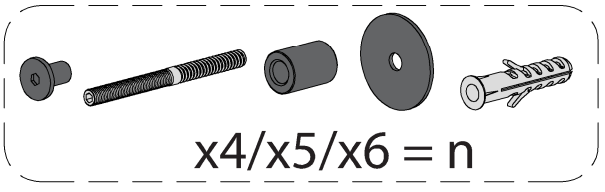
$H_1 = H_0 + 81$
 $H_1 = h + 61$



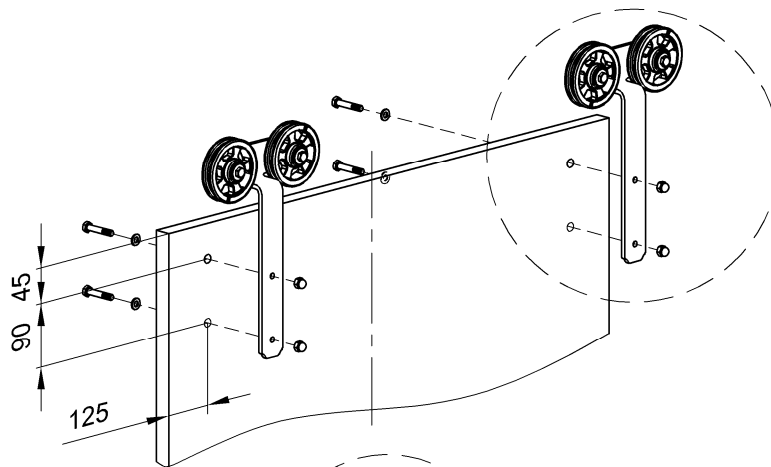
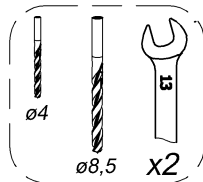
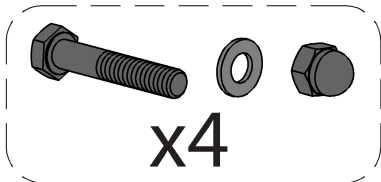
2



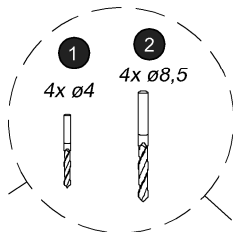
3



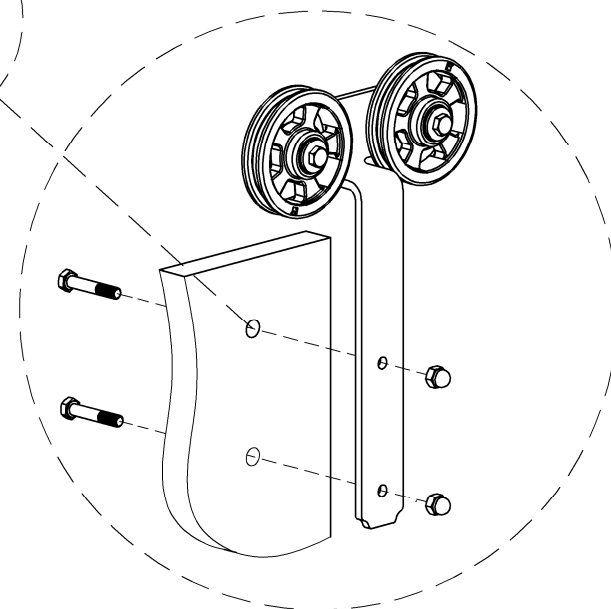
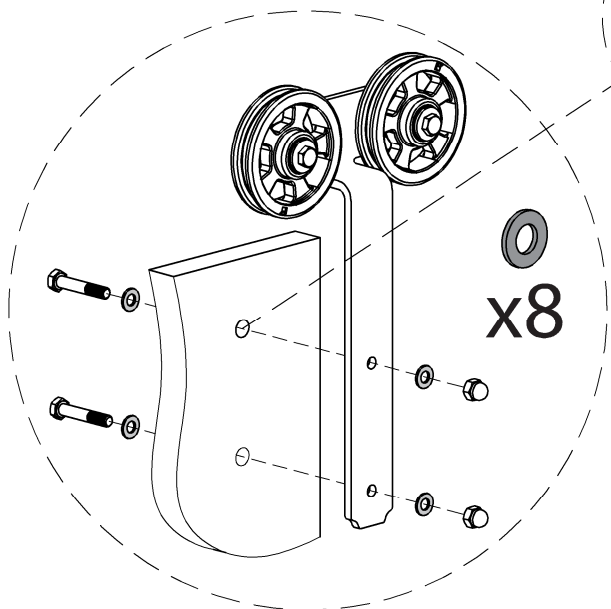
4



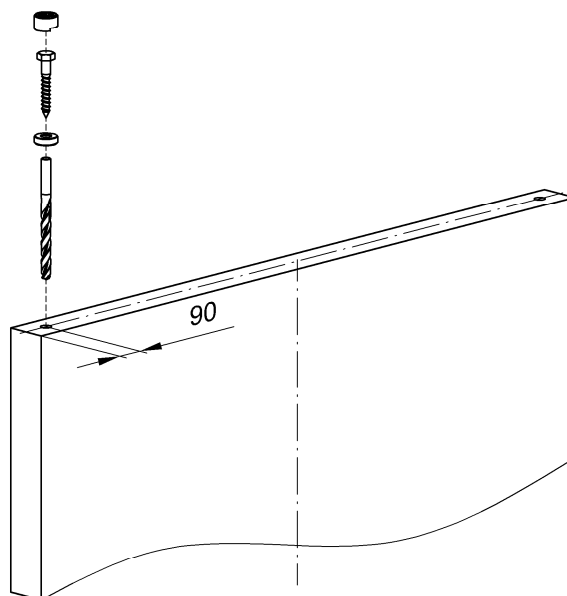
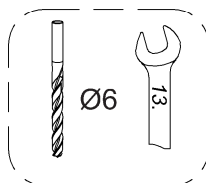
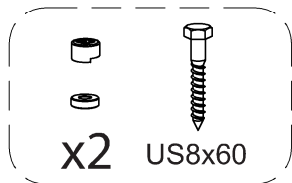
! 35 < s < 38



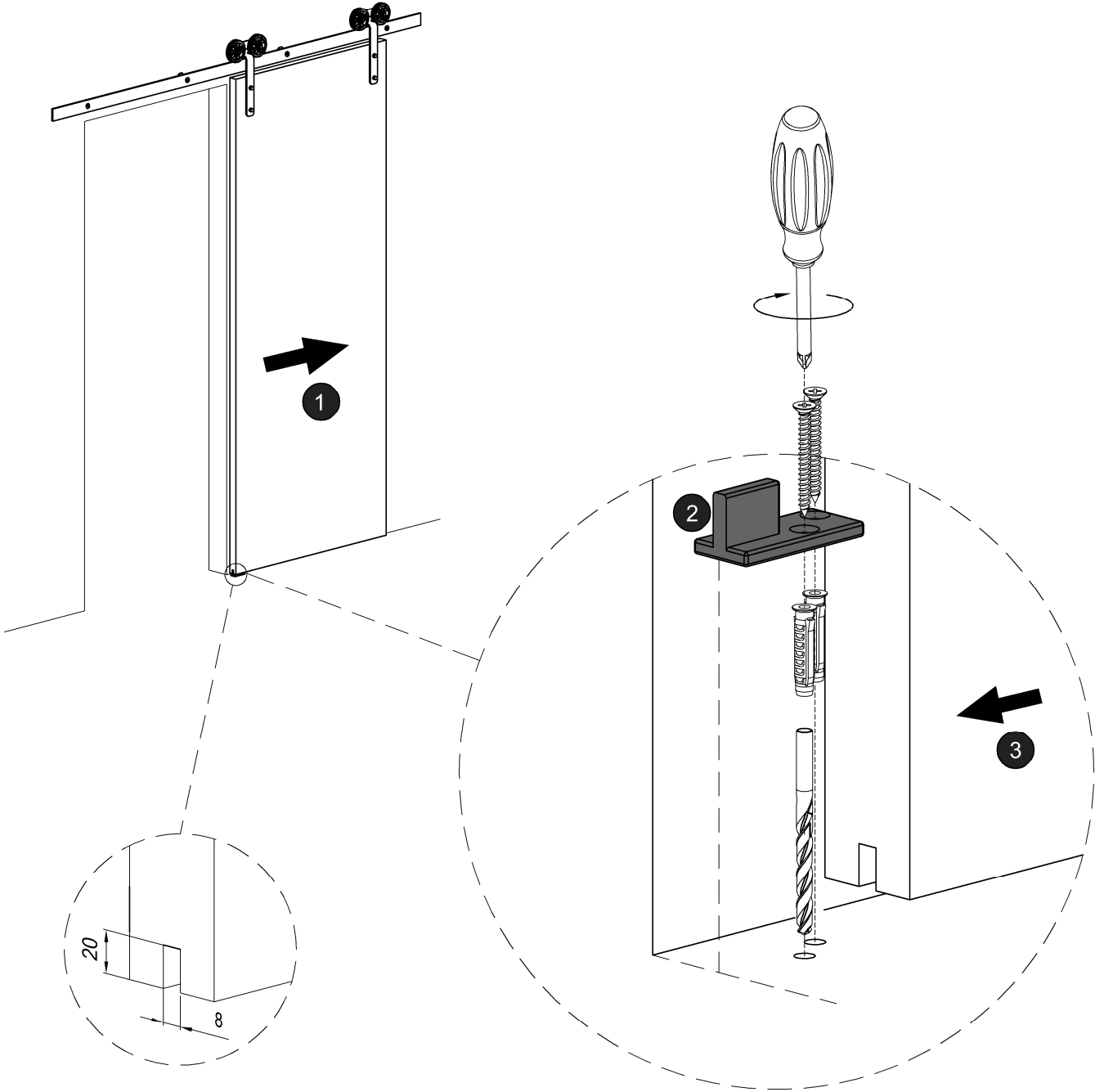
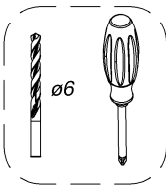
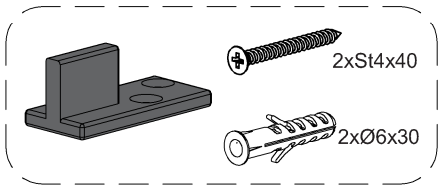
38 ≤ s < 42



5

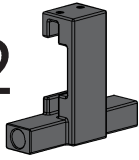


6



7

x2



#2

